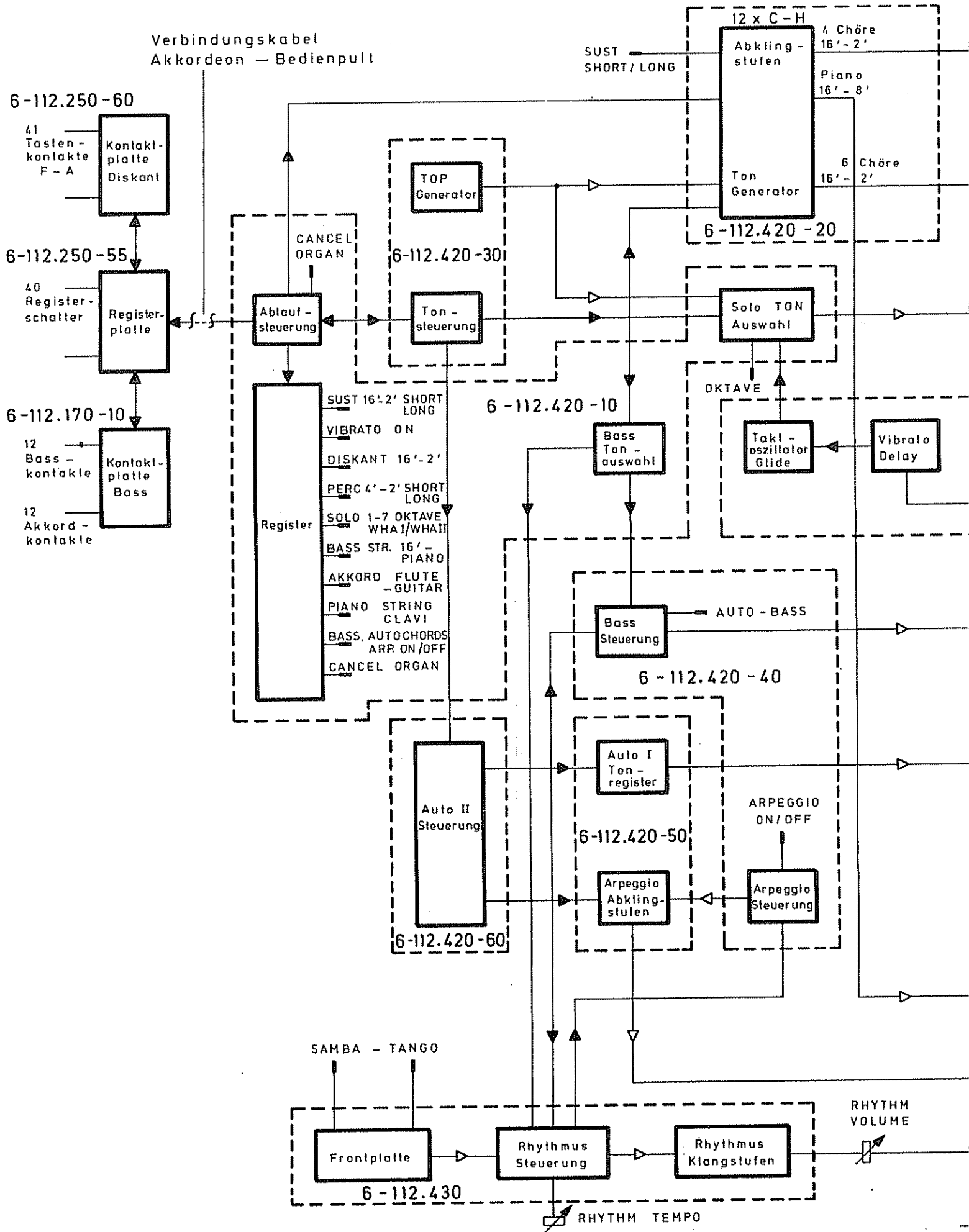
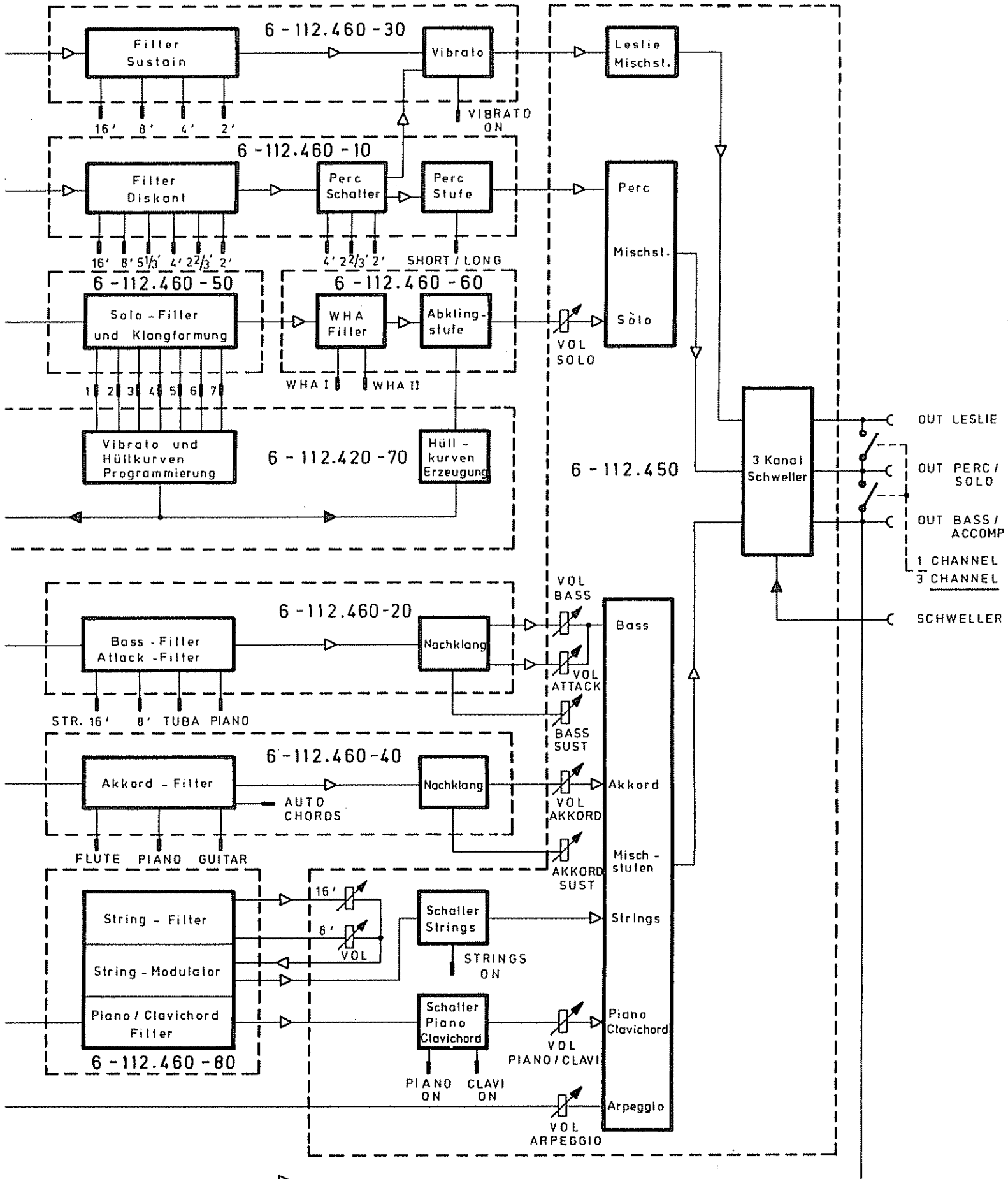

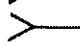


Akkordeon

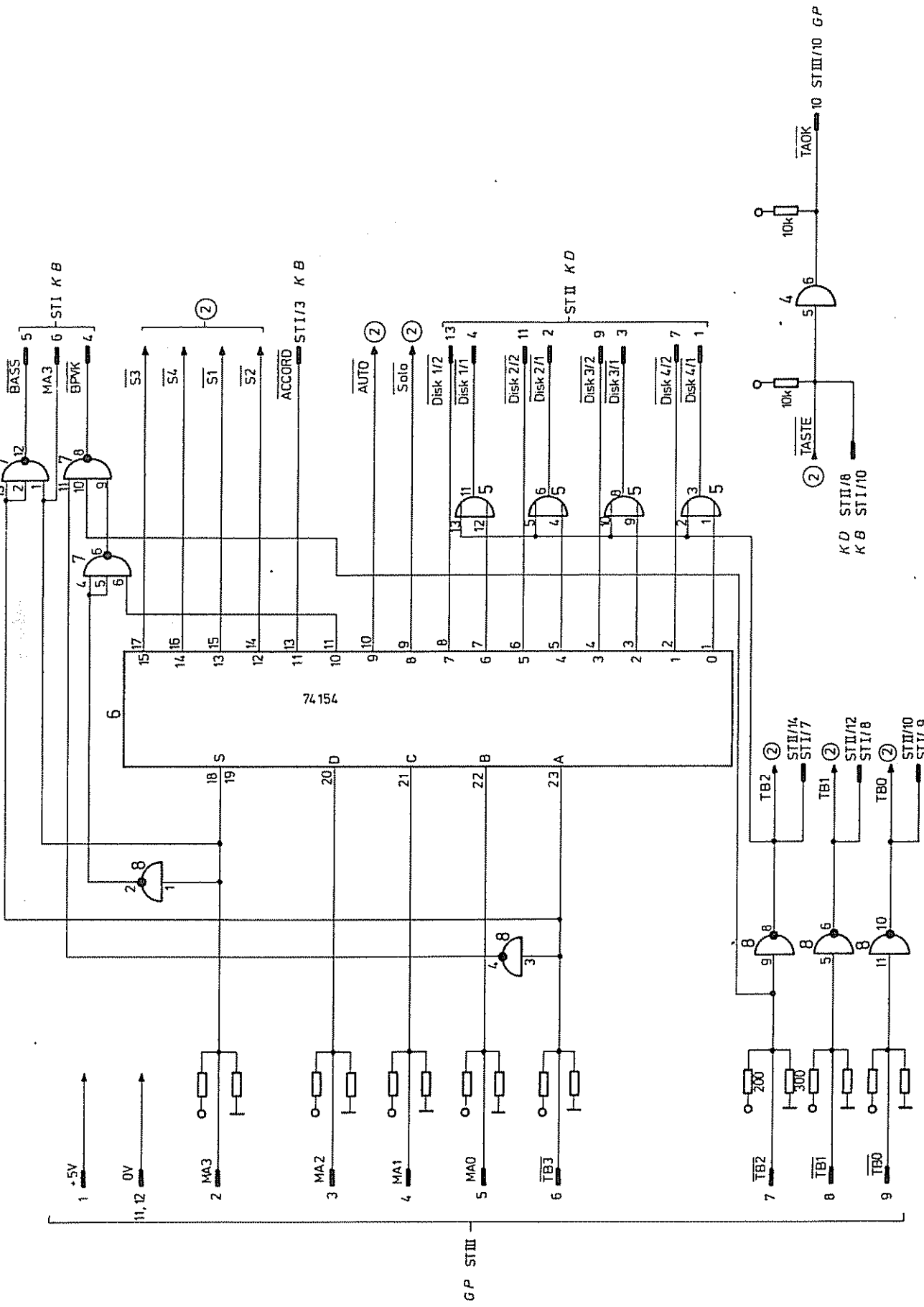


Bedienpult

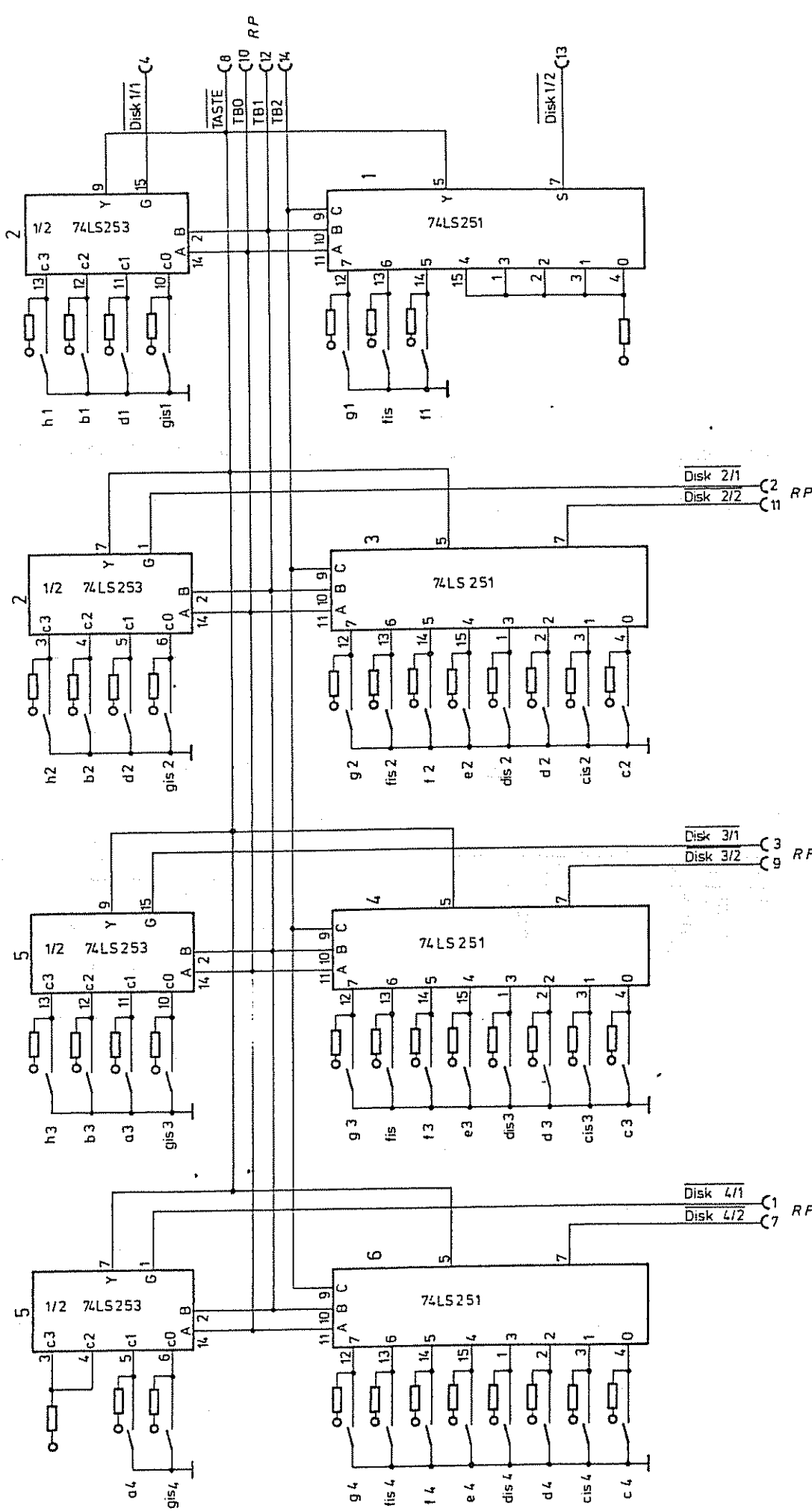


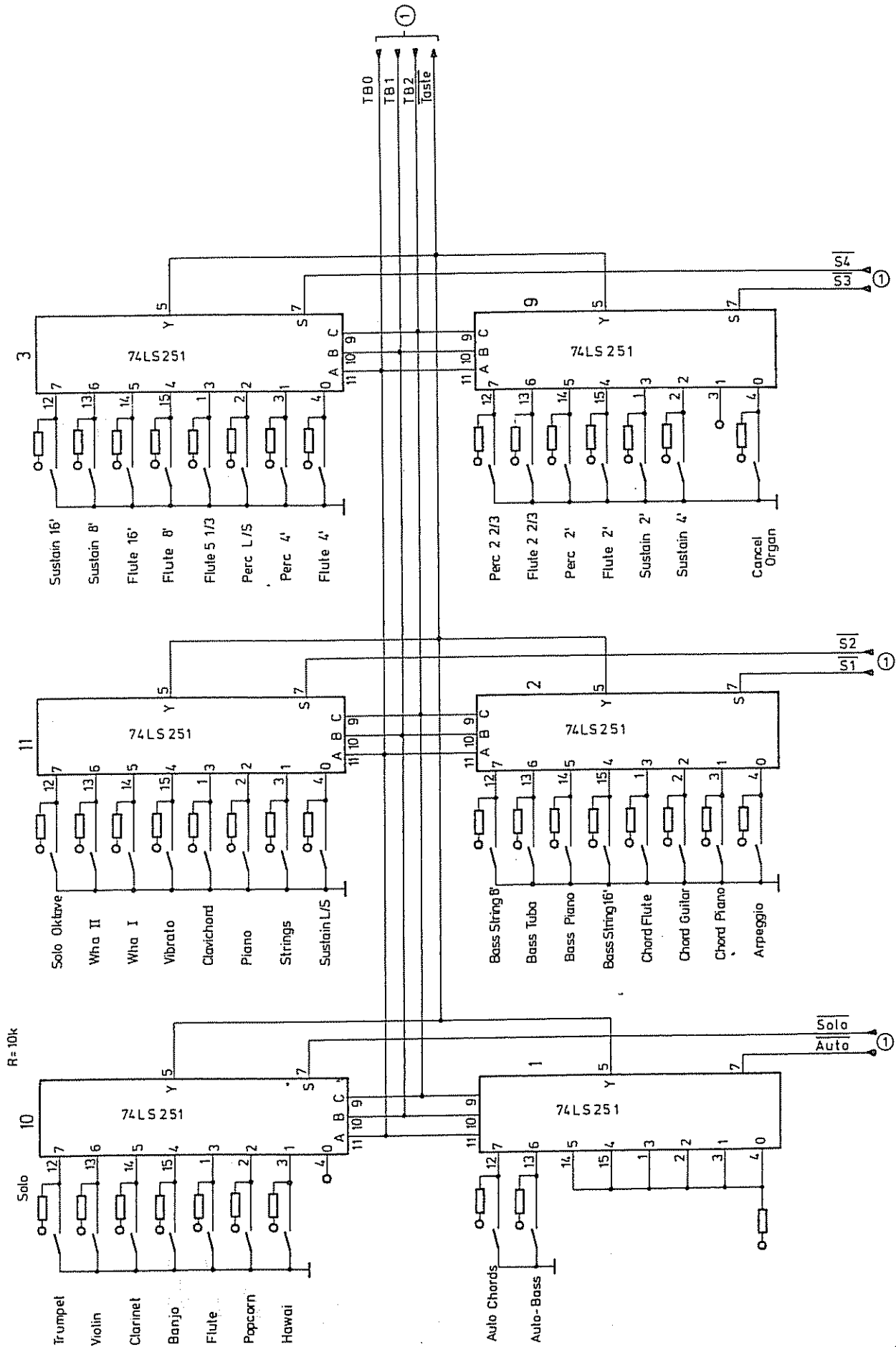
 Kontrollleitungen
 Tonleitungen (NF)

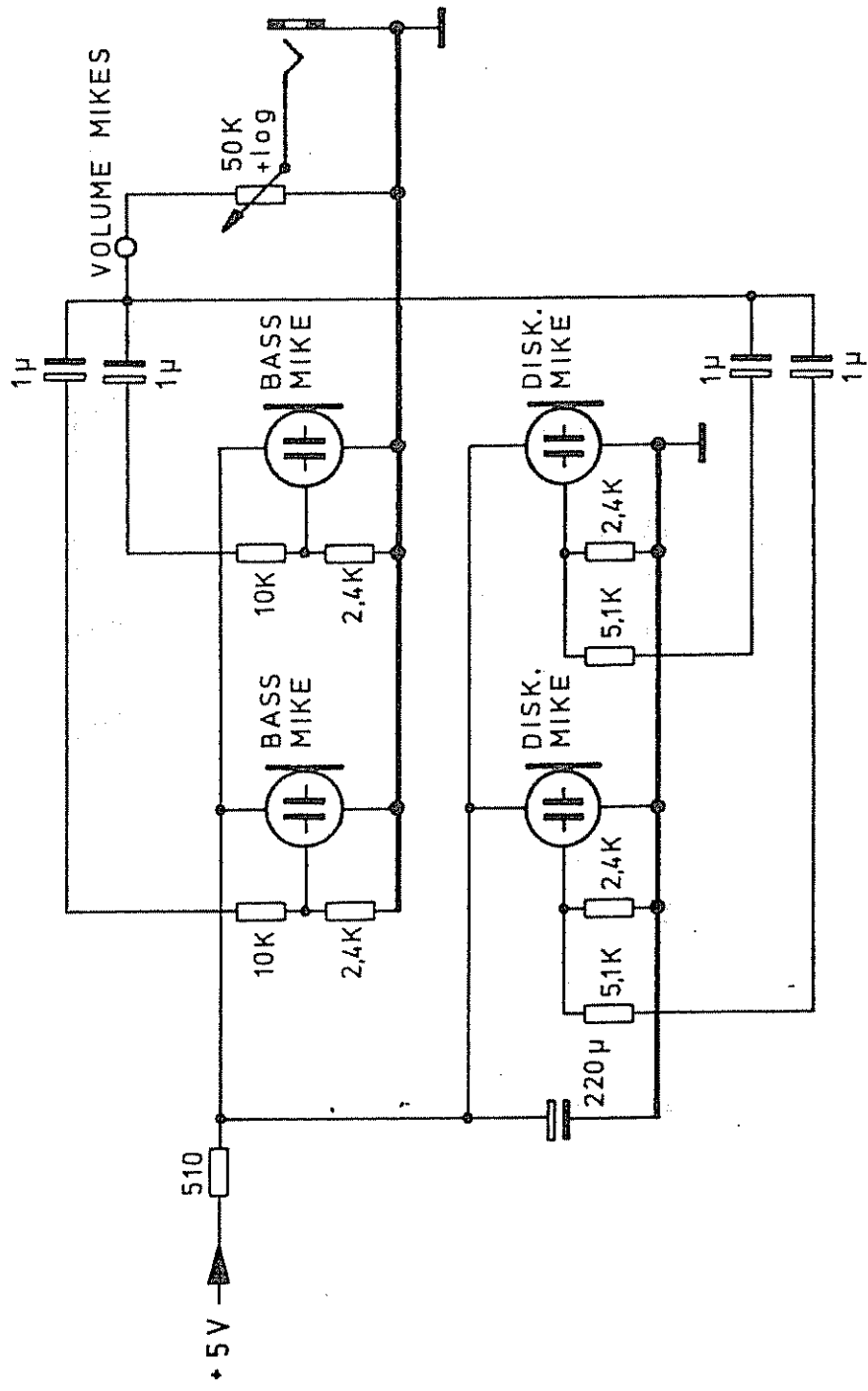
Block - Schaltbild

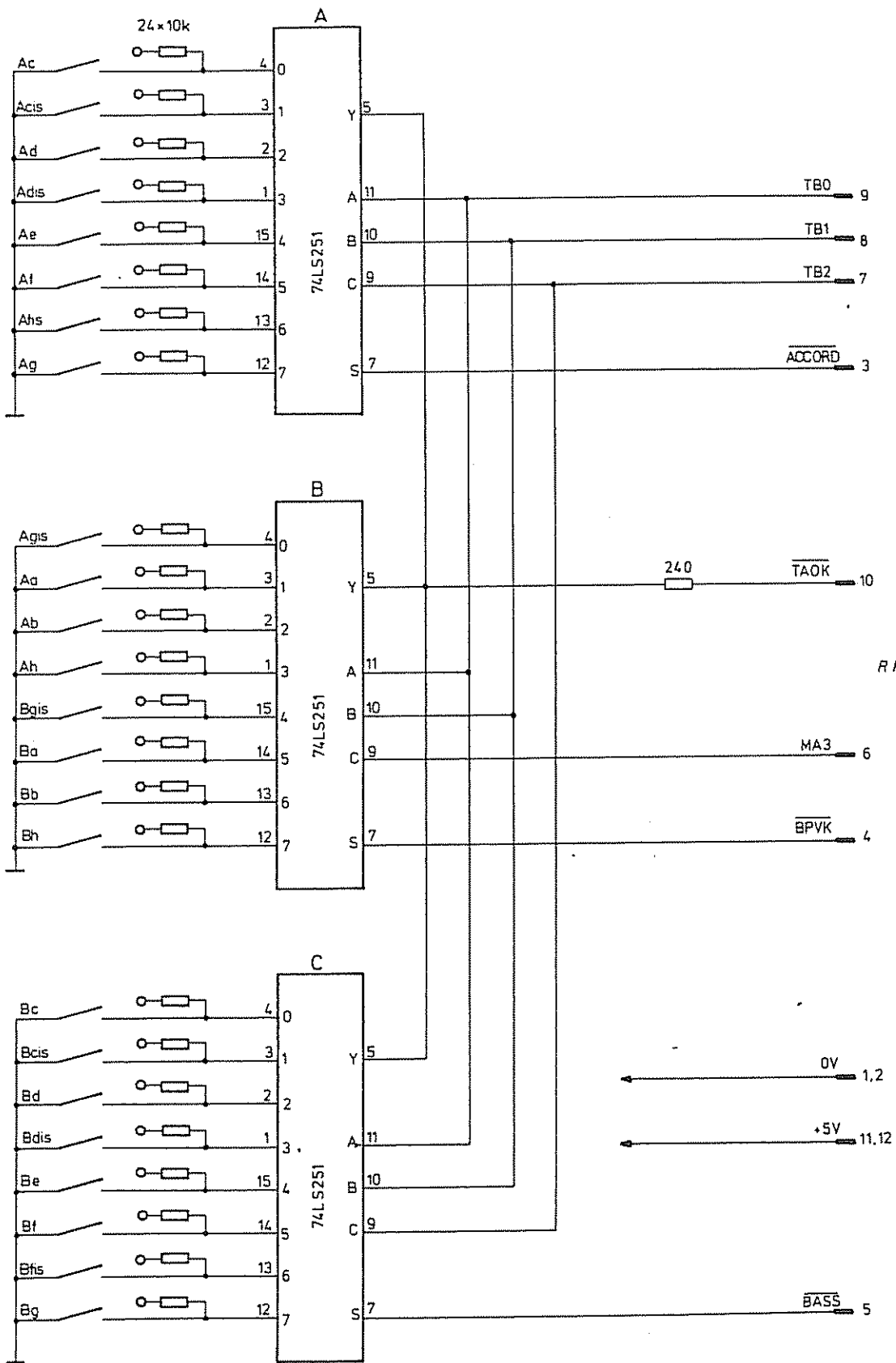


alle Widerstände 10k





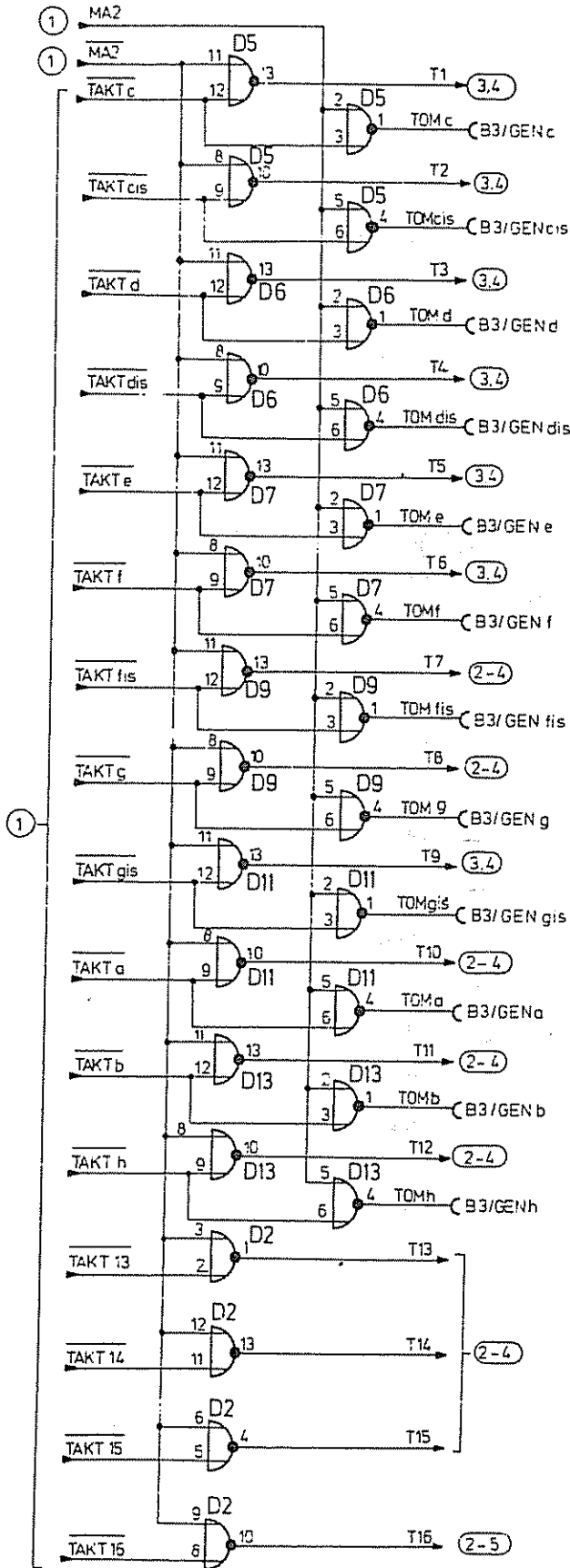
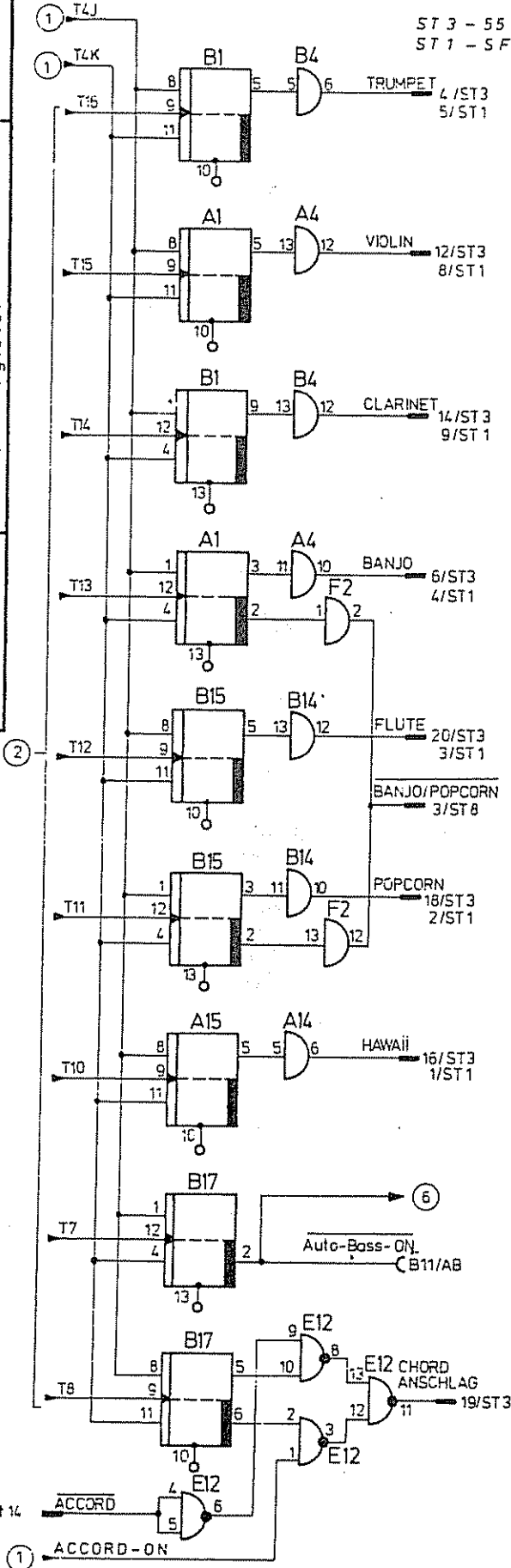


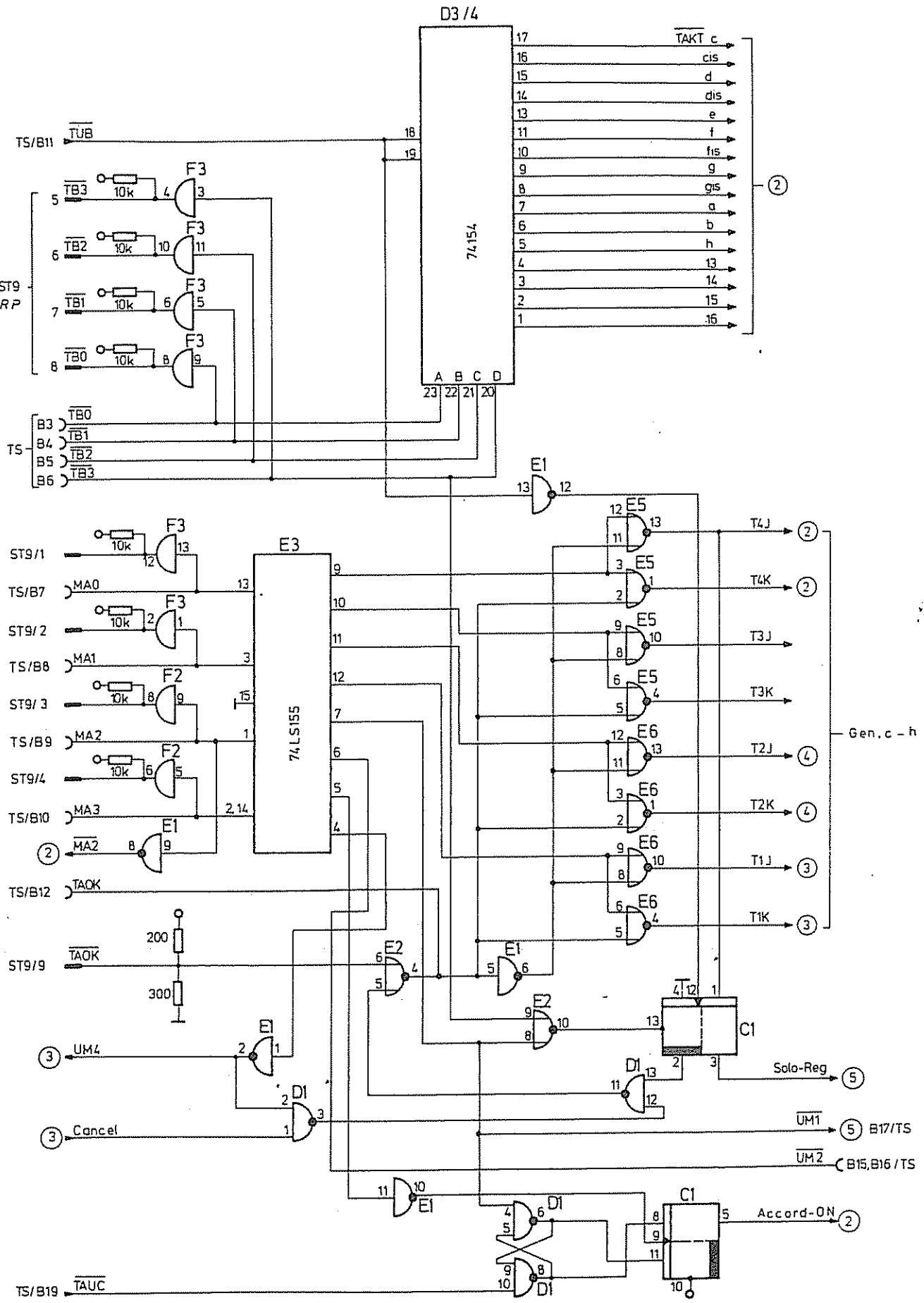


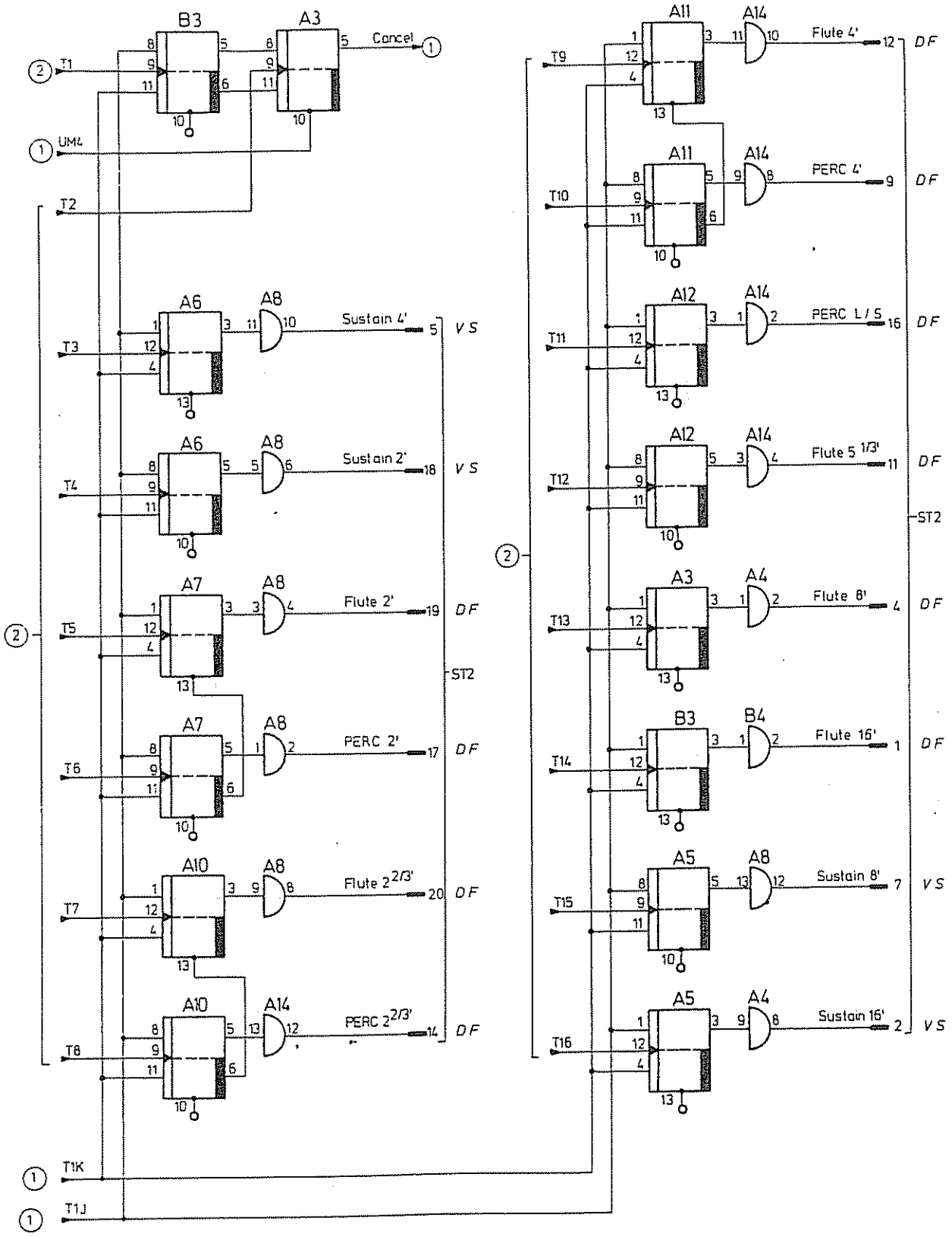
HOHNER - VOX 3
Grundplatte (GP)
Soloregister

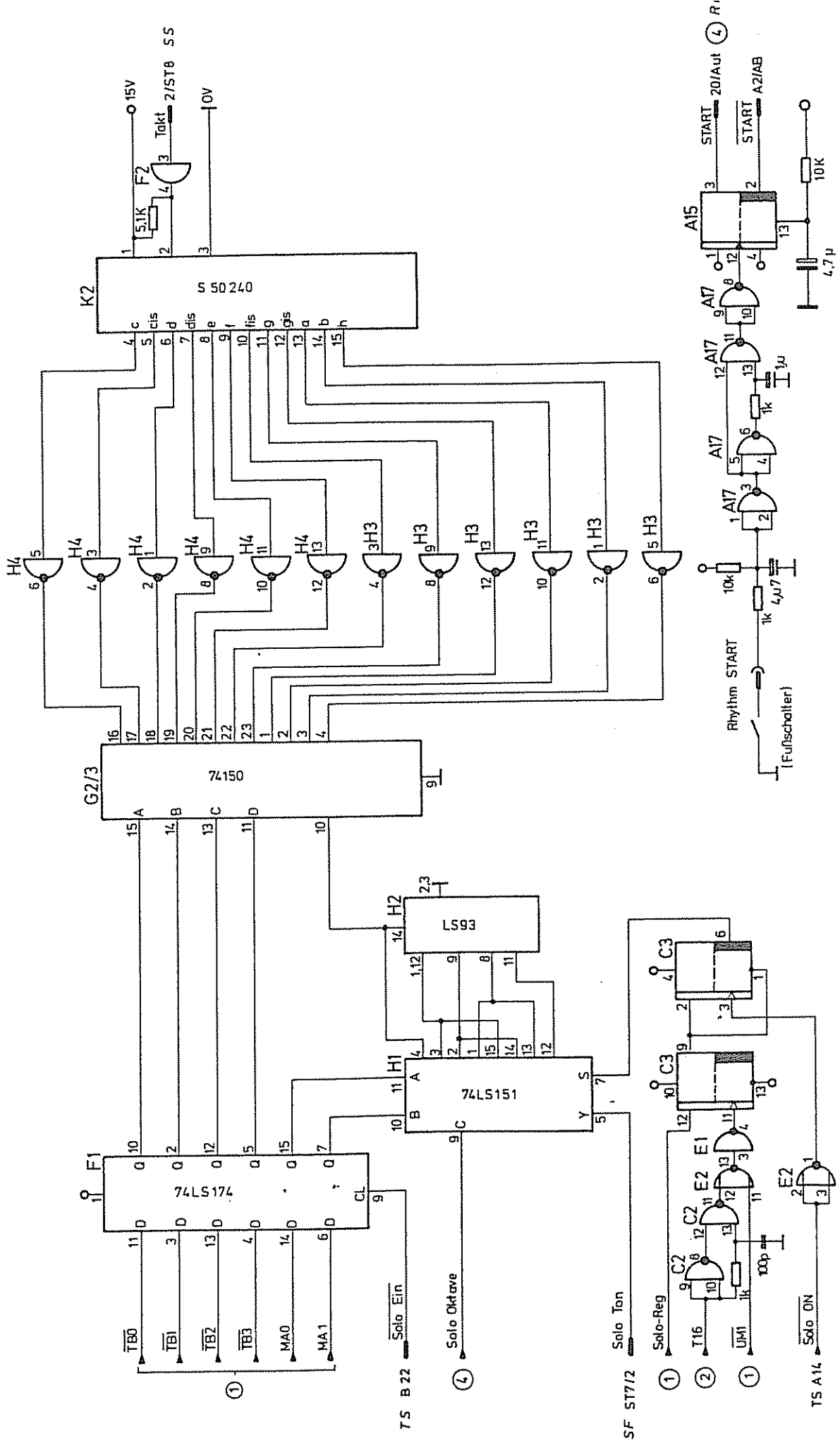
6-112.420-10

RH Aut 14



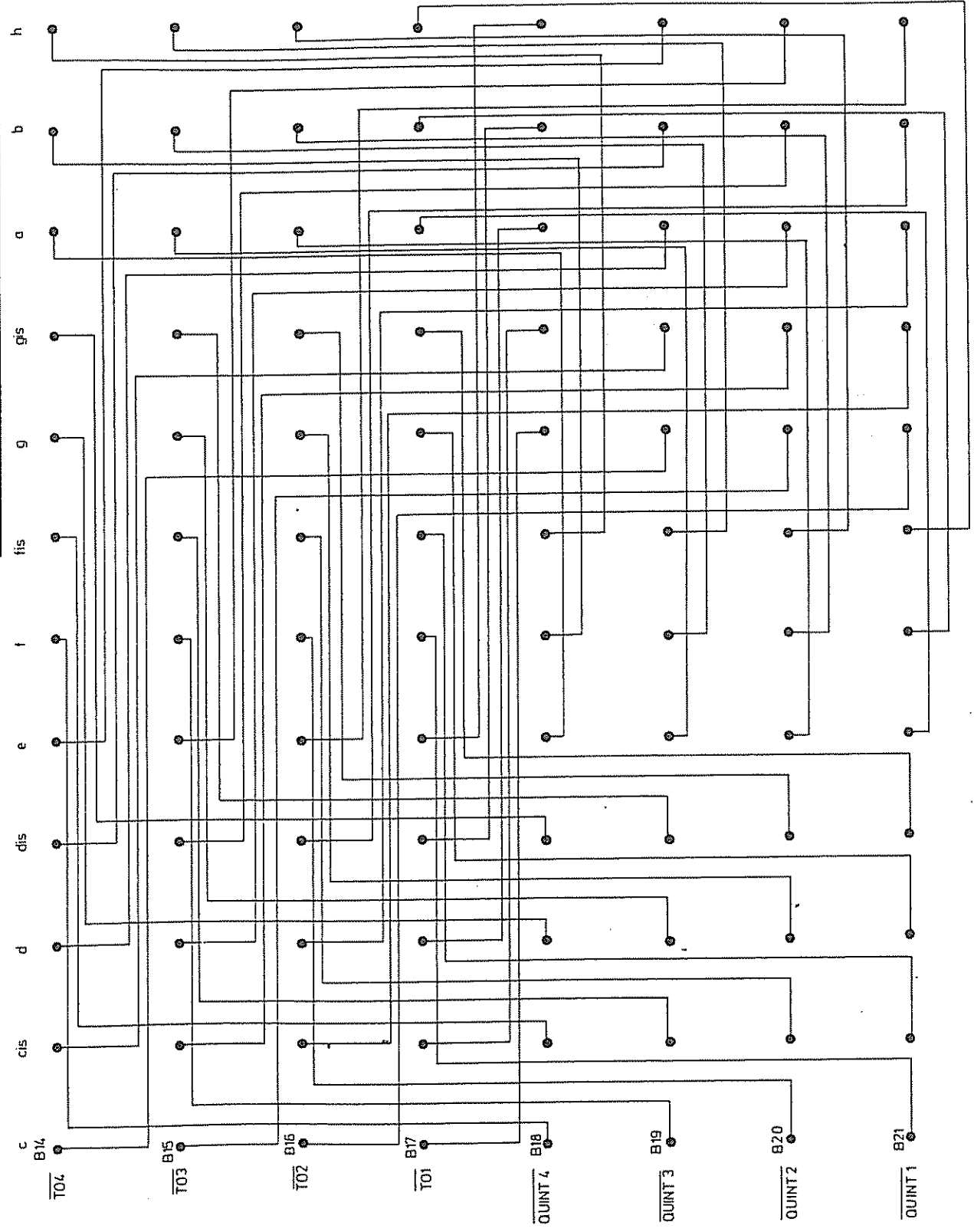


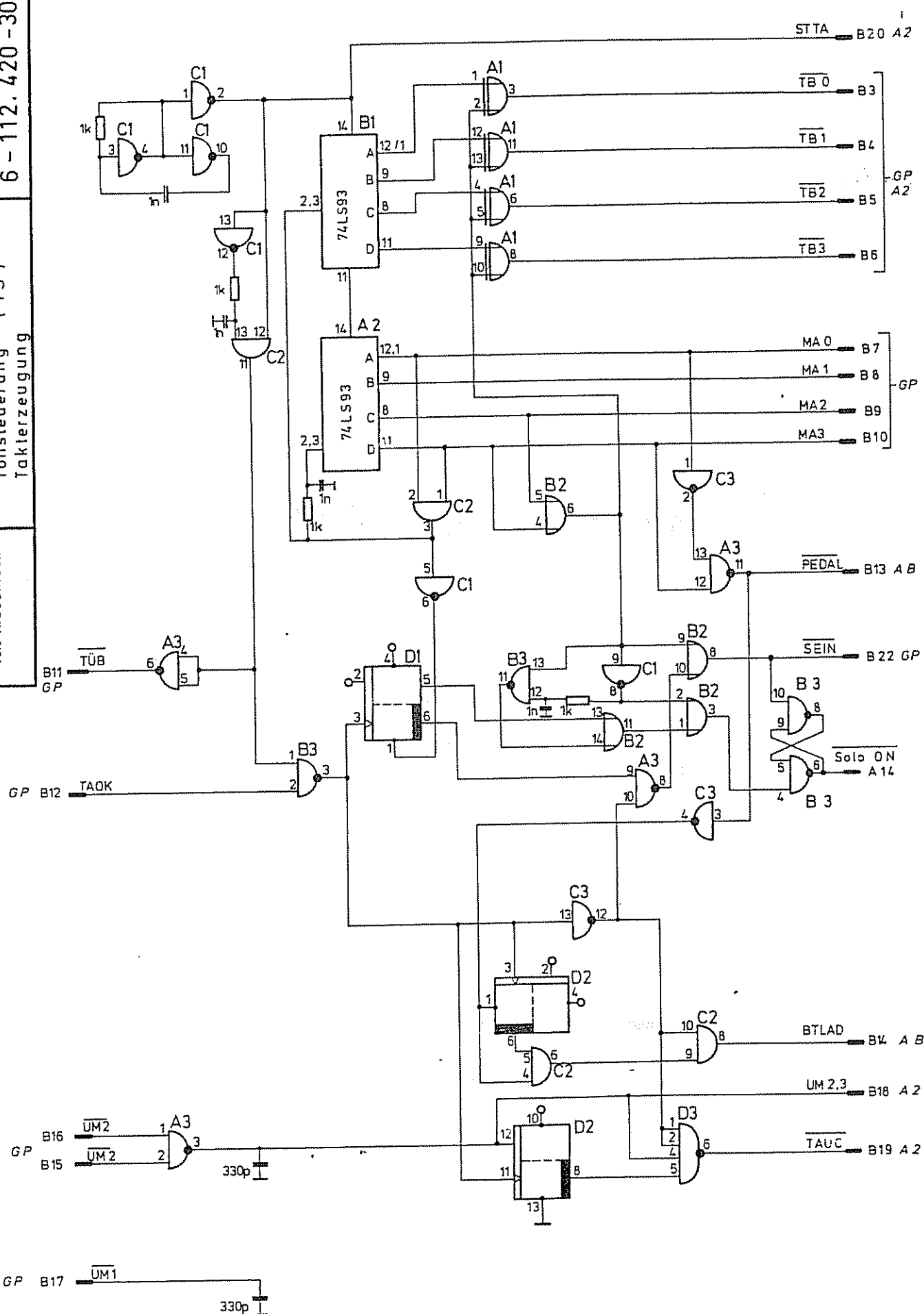


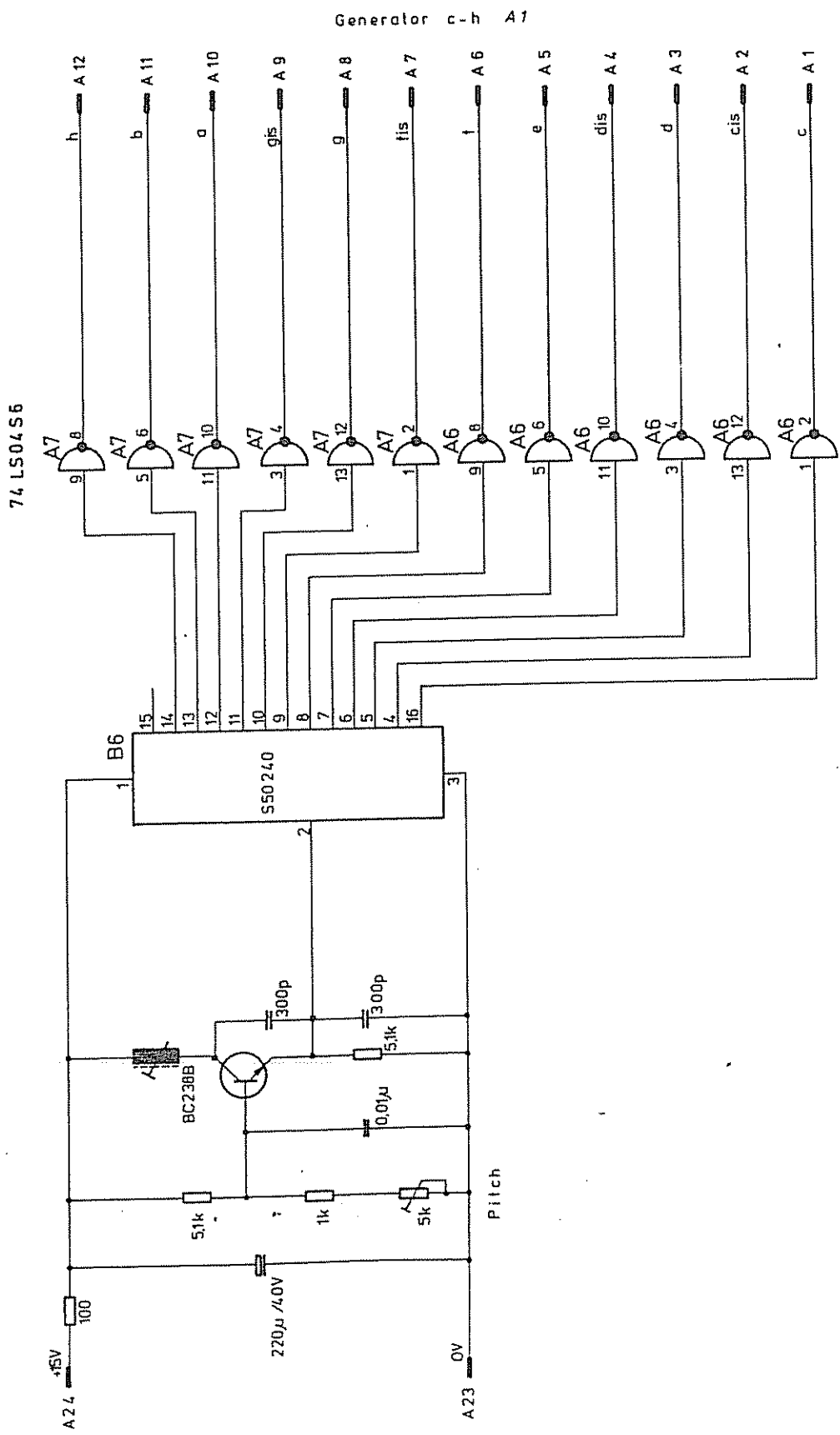


Steckerbelegung Grundplatte

	ST 4 (AUT)	ST 5	ST 6	ST 7
FiN				
1		Rhythm-START	OV	Rep/Perc
2	TAAN		String 16"	Solo-TON
3	ATE 2		String 8'	Perc-Impuls
4	ATE 3		OV	Sustain/Attack.
5	ATE 0	Bass 4'	String 4'	
6	ATE 1	Bass 16'	String 2'	
7	ATA 1	Bass 8'	OV	
8	ATA 2	Bass 8'	Piano	
9	ATA 4	Bass-ON	Flute 5½'	
10	ATA 3	Attack	OV	
11	ATA 0	Bass 4'		
12	Quint	Bass 8'		
13	Arp-TAKT	OV	Flute 2'	
14	Akkord-Spur	Arpeggio-TON	Flute 4'	
15	Bass-Spur	Chords 2'	Flute 8'	
16		Chords 4'	Flute 16'	
17	Sechste	Chords 8'	Flute 2¾'	
18	Terz			
19				
20	START			





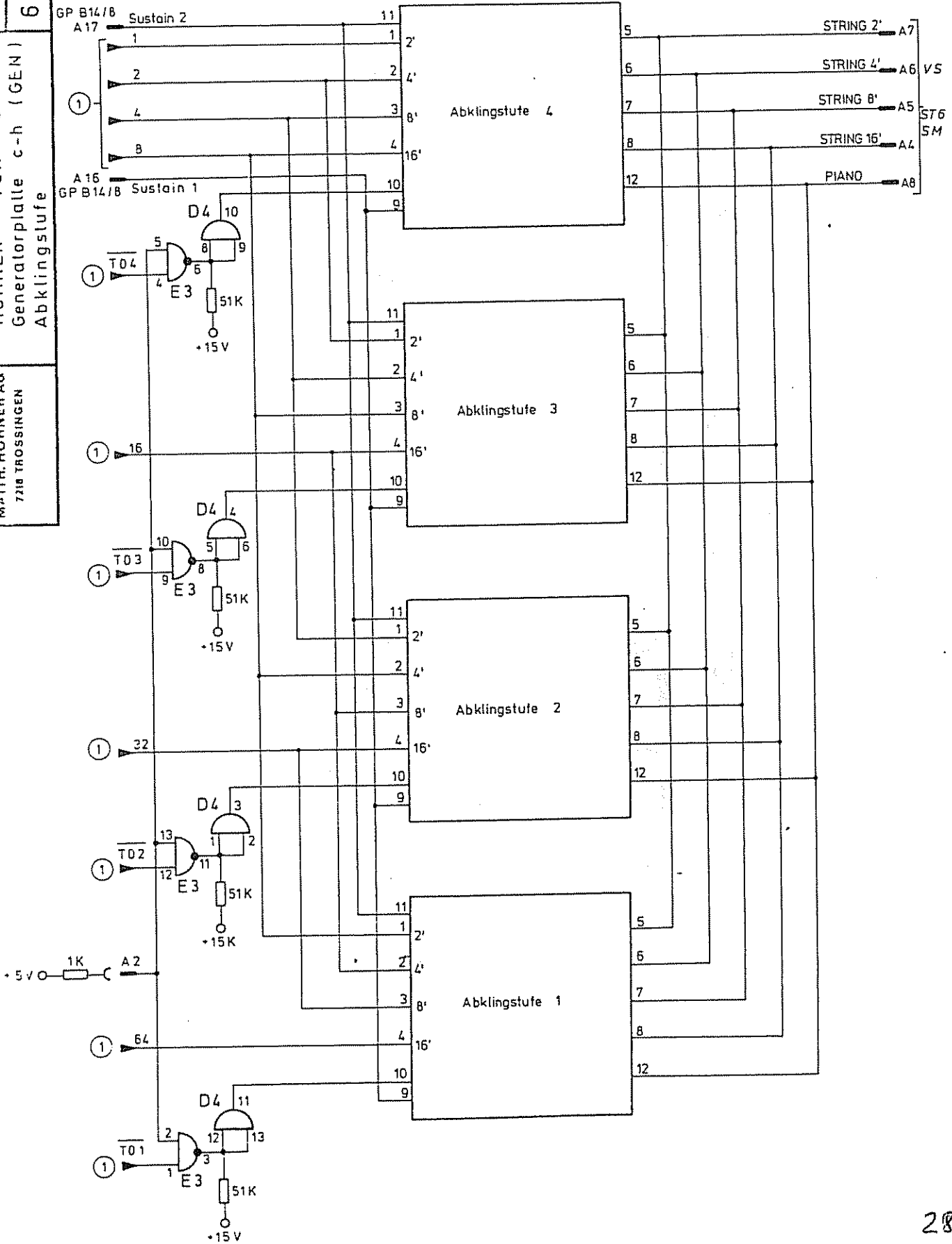


6-112.420-20

Entwicklungsabteilung

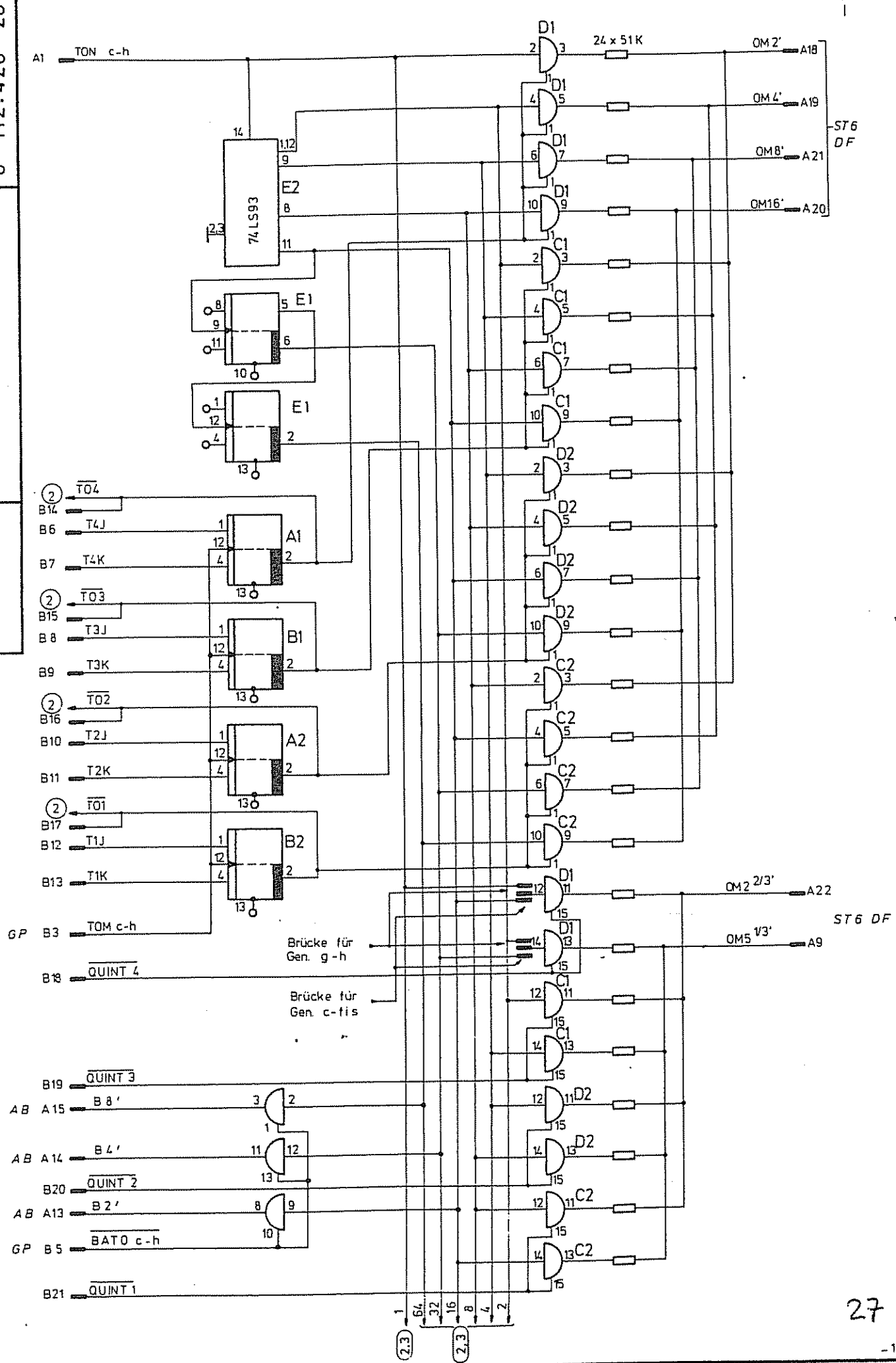
HOHNER - VOX 3
Generatorplatte c-h (GEN)
Abklingstufe

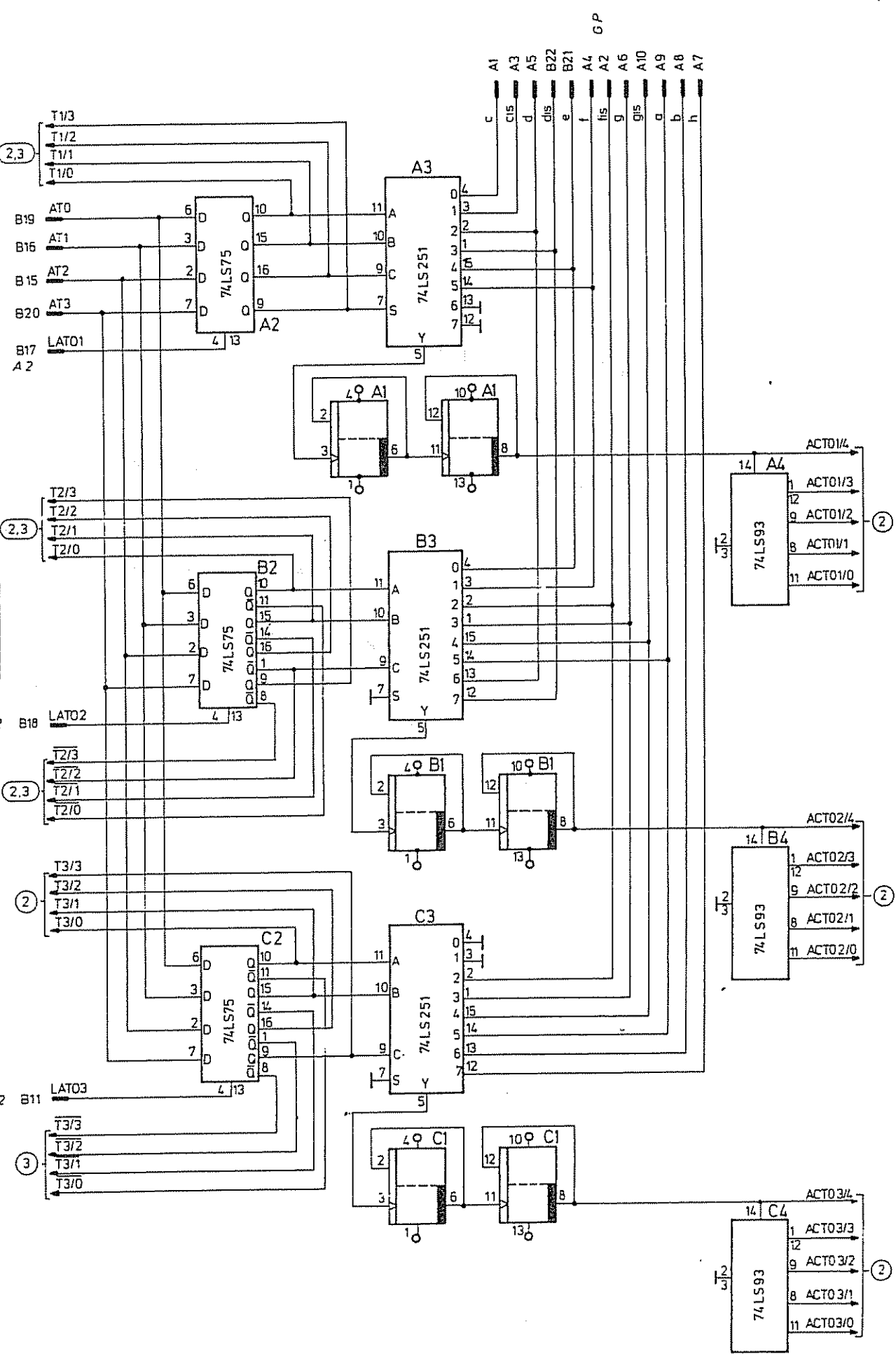
MATH. HOHNER AG
7218 TROSSINGEN

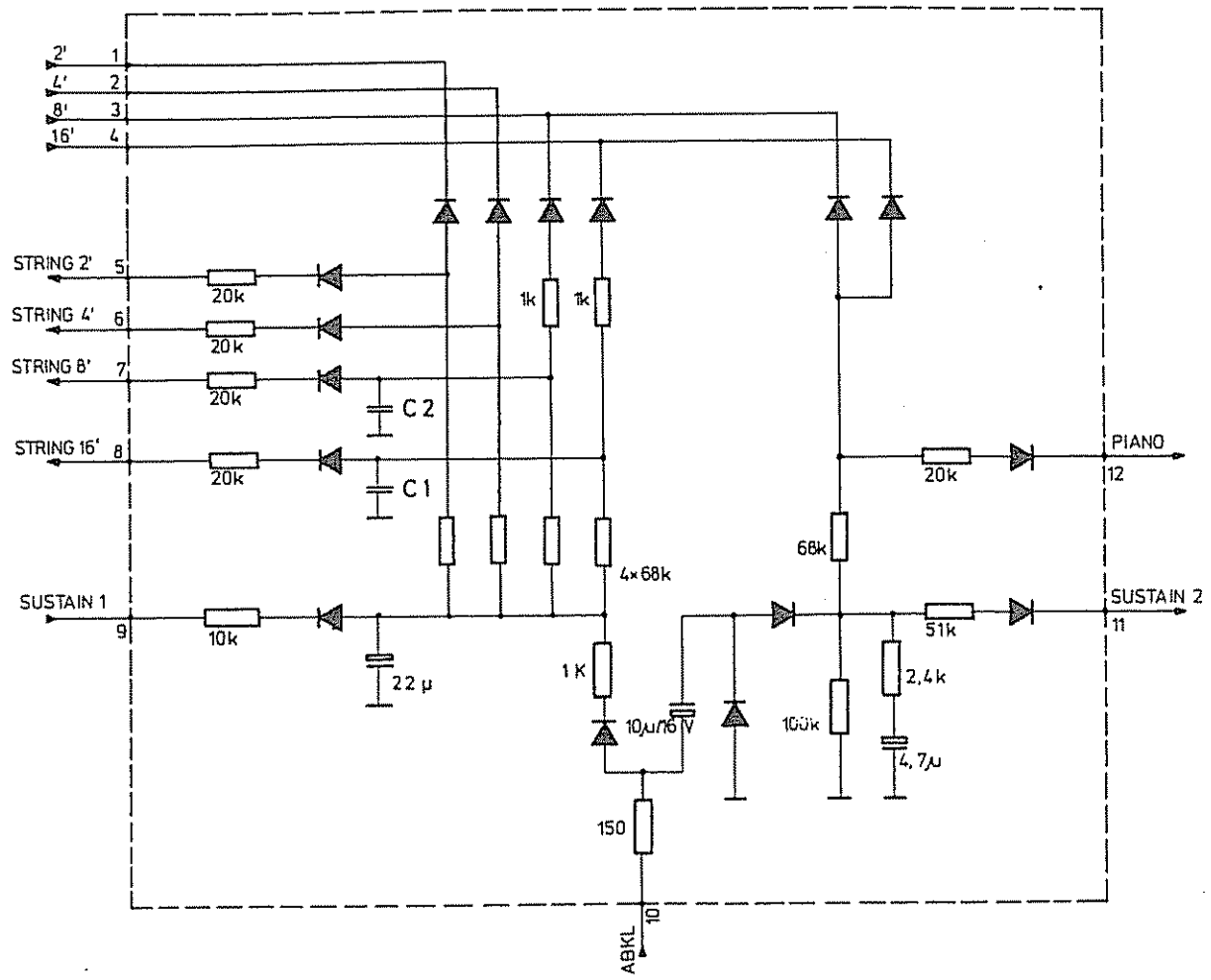


Abschnitt
 Kapitel
 Band
 6-112.420-20
 Entwicklungsdokumentation
 HOHNER - VOX 3
 Generatorplatte c-h (GEN)
 MATTH. HOHNER AG
 7316 TROSSINGEN

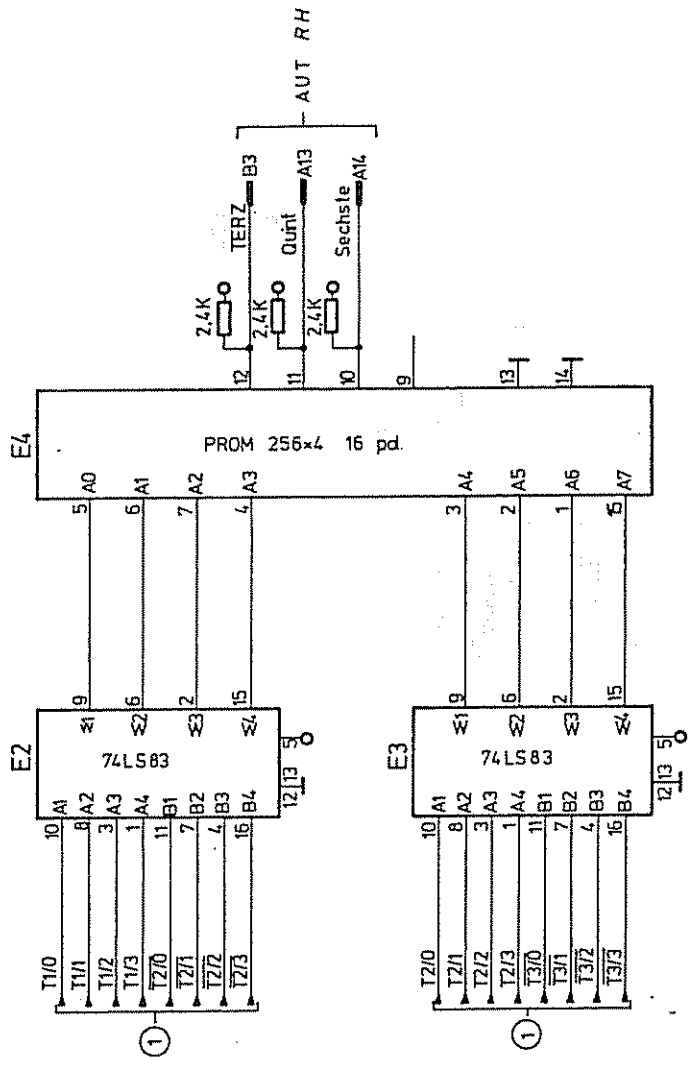
1/1



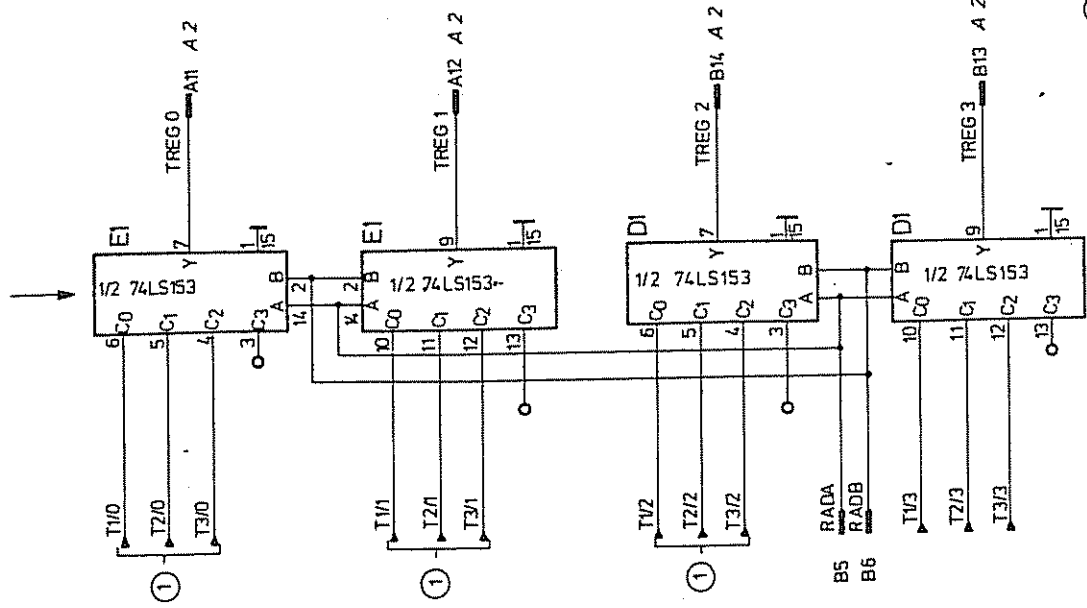




		ABKL 1	ABKL 2	ABKL 3	ABKL 4
Gen. c - f	C 1	0,1 µ	0,047 µ	0,022 µ	0,01 µ
Gen. fis - h	C 1	0,068 µ	0,033 µ	0,015 µ	6800 p
Gen. c - f	C 2	0,047 µ	0,022 µ	0,01 µ	4700 p
Gen. fis - h	C 2	0,033 µ	0,015 µ	6800 p	2000 p



entfällt bei Automatik 2
6-112.420-61

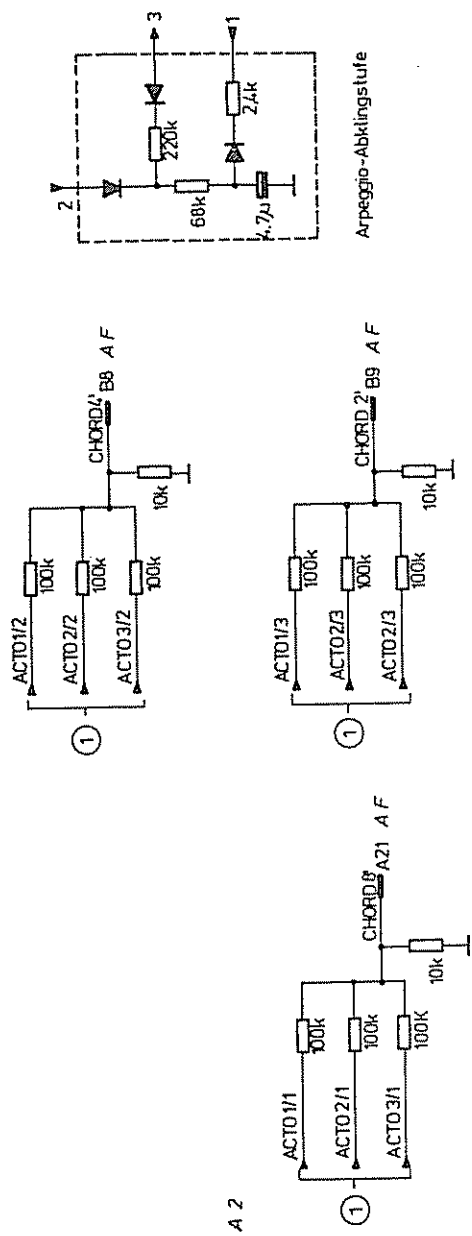
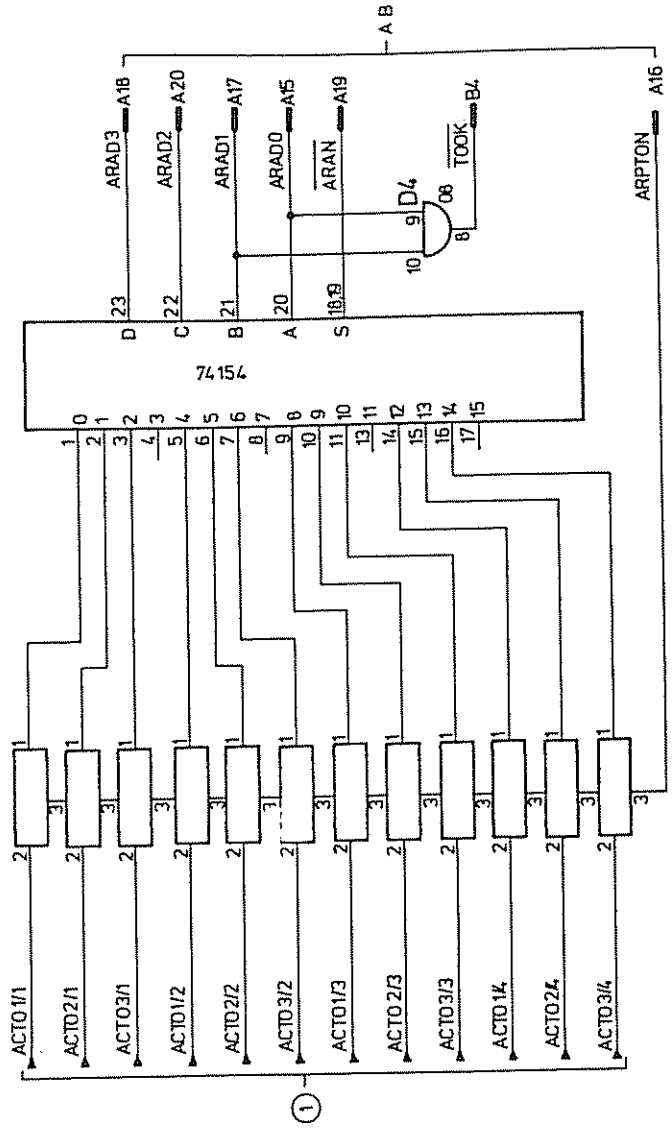


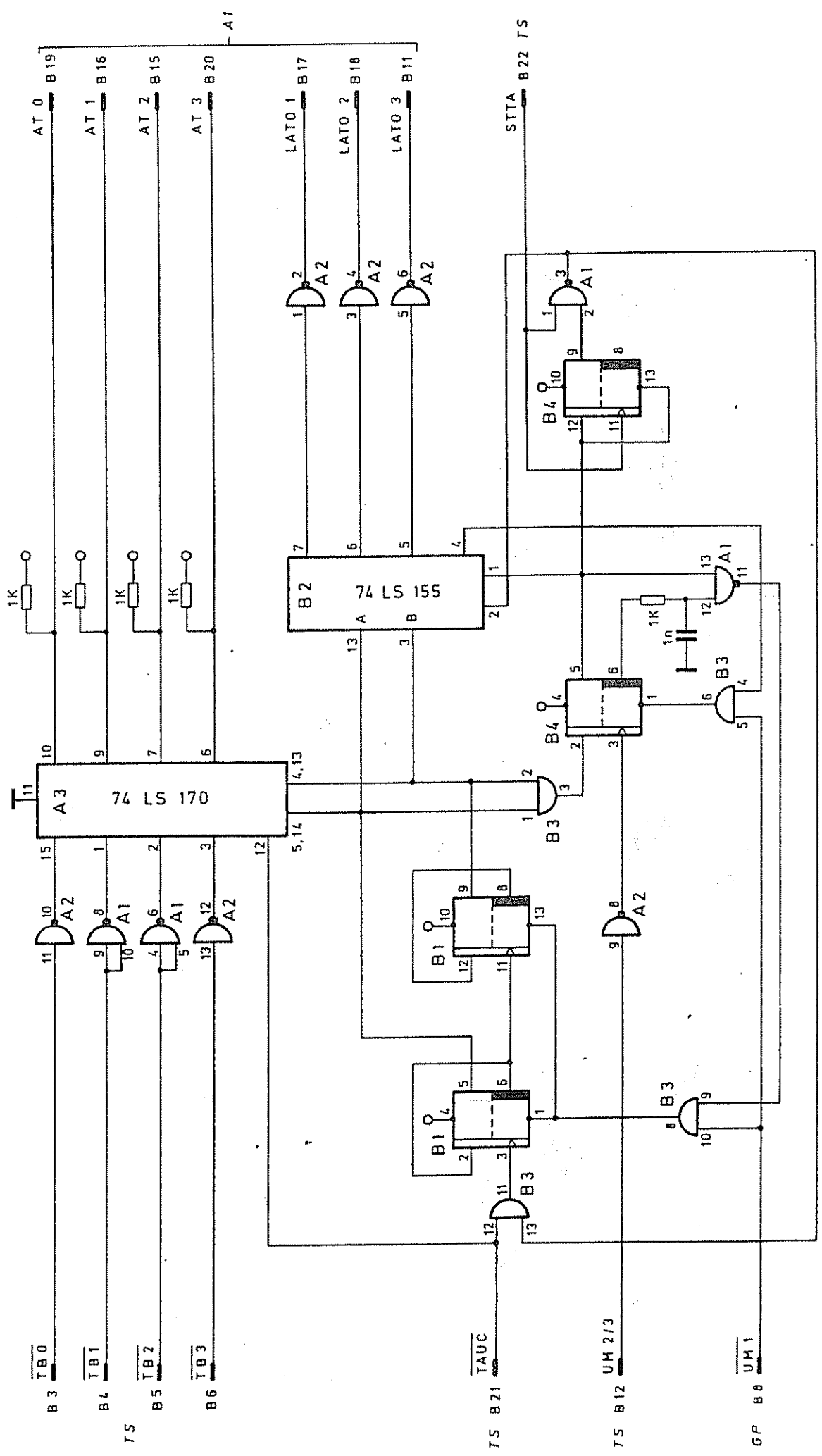
MAITH. HOHNER AG
7218 TROBINGEN

Entwicklungsdokumentation
HOHNER - VOX 3
Automatik 1 (A1)
Arpeggio Abklingslufer

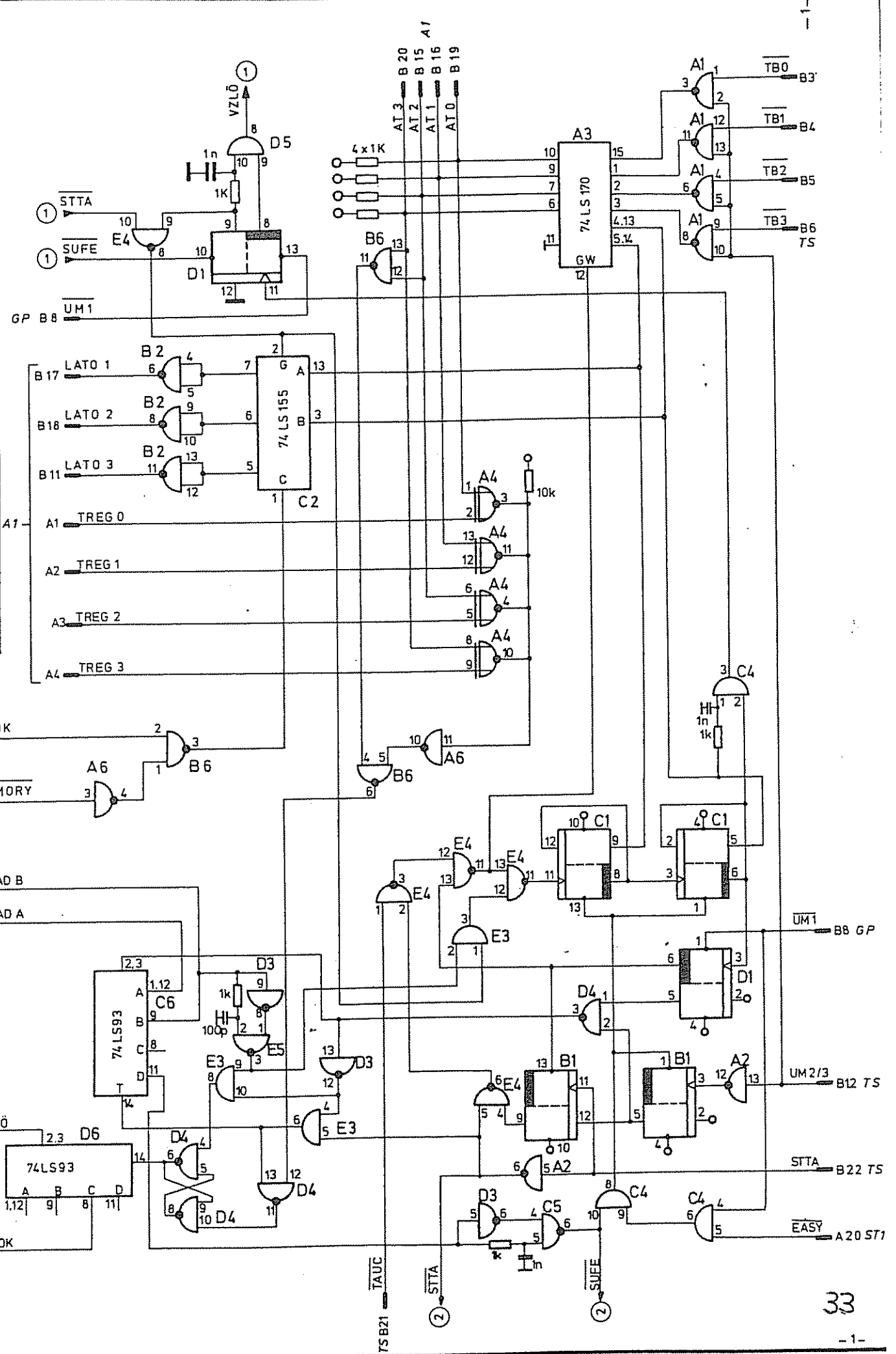
Band
Kapitel
Abchnitt

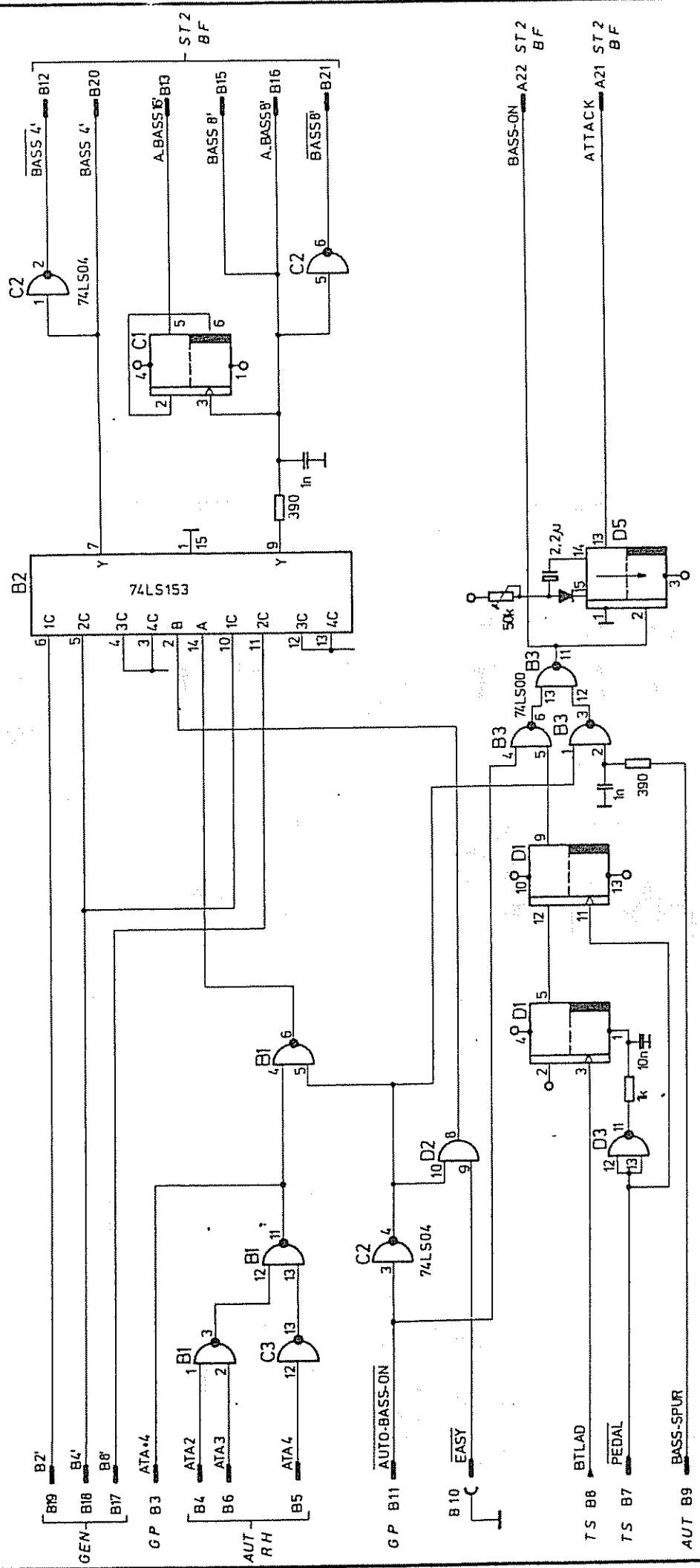
6-112.420-50

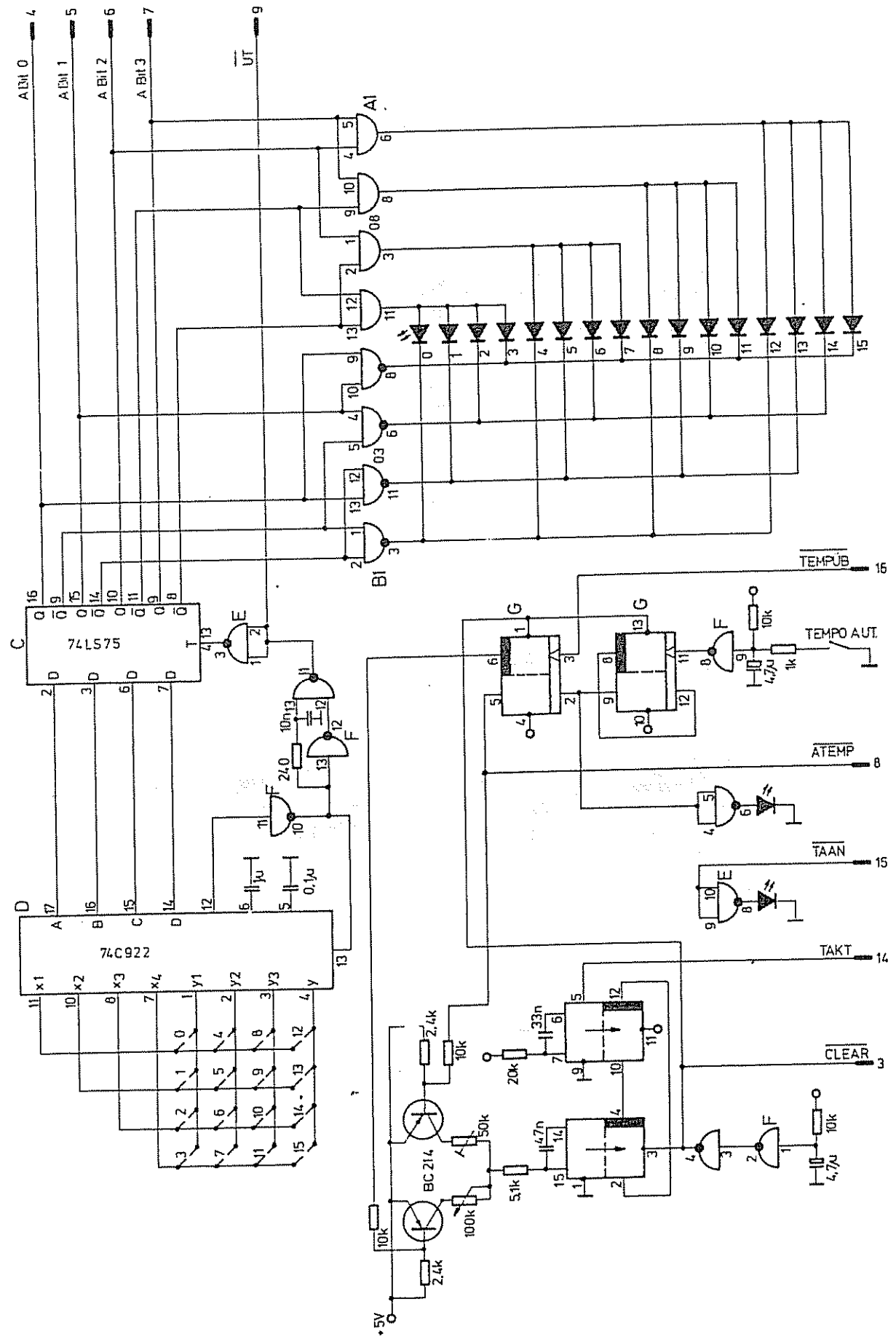


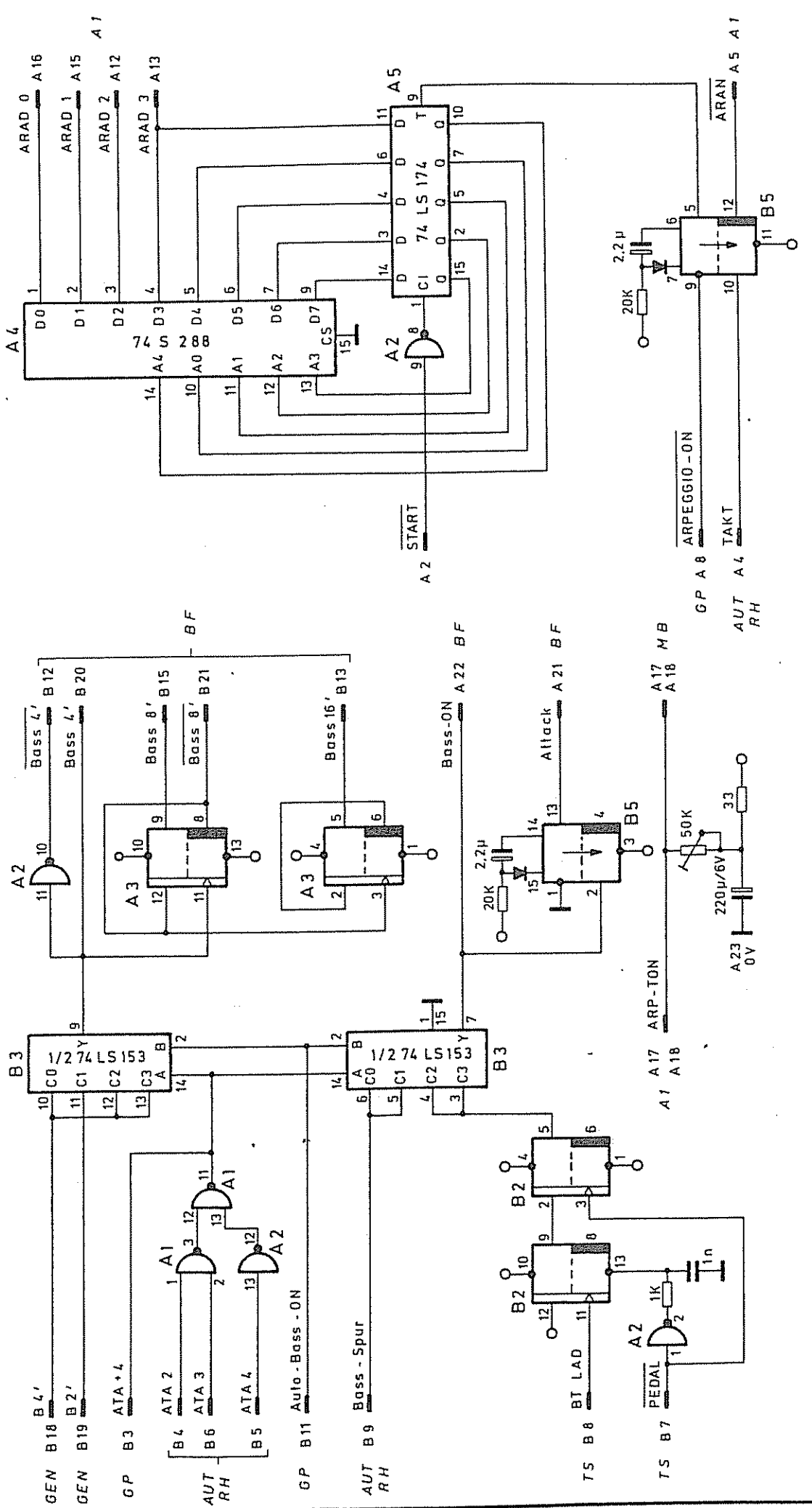


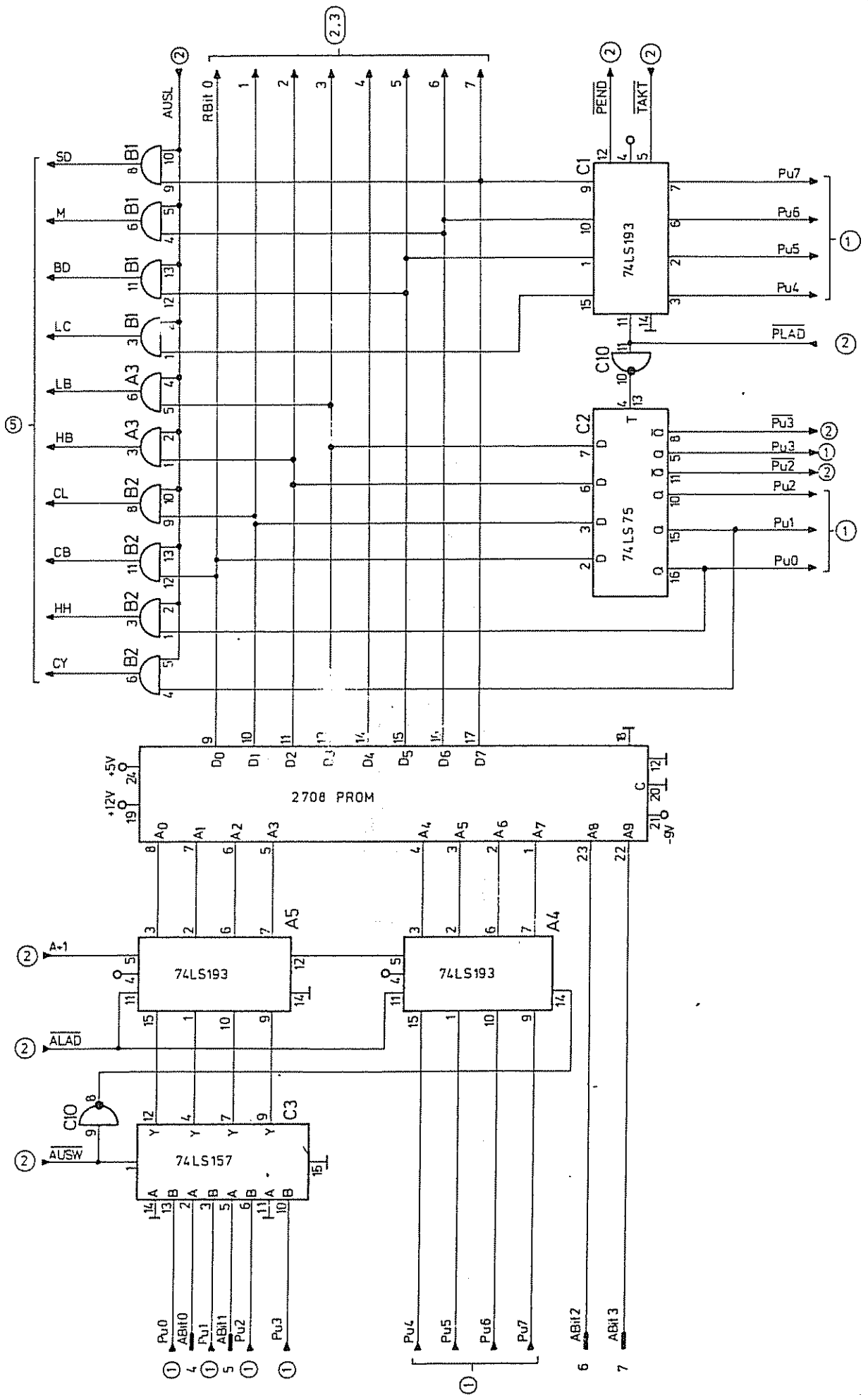
Abchnitt
 Kapitel
 Band
 6-112.420-60
 Entwicklungsdokumentation
 HOHNER - VOX 3
 Automatik 2 (A2)
 MATH. HOHNER AG
 7318 TROBINGEN

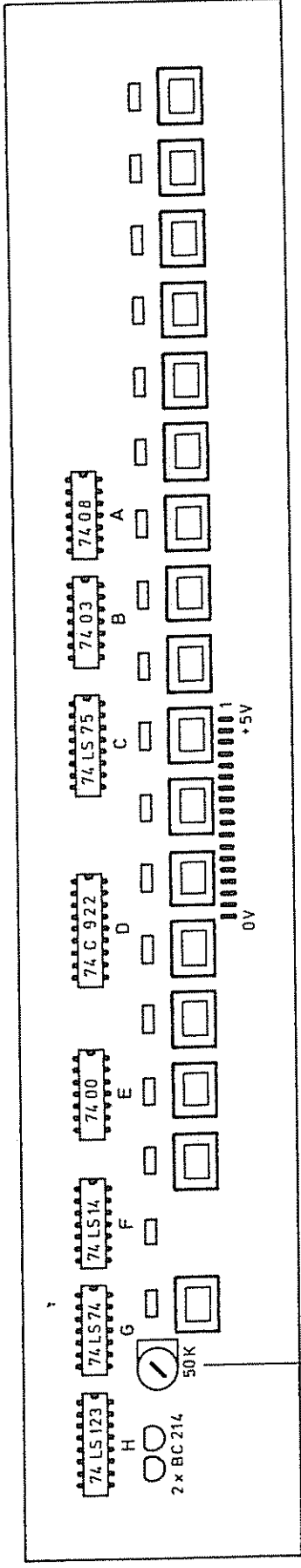


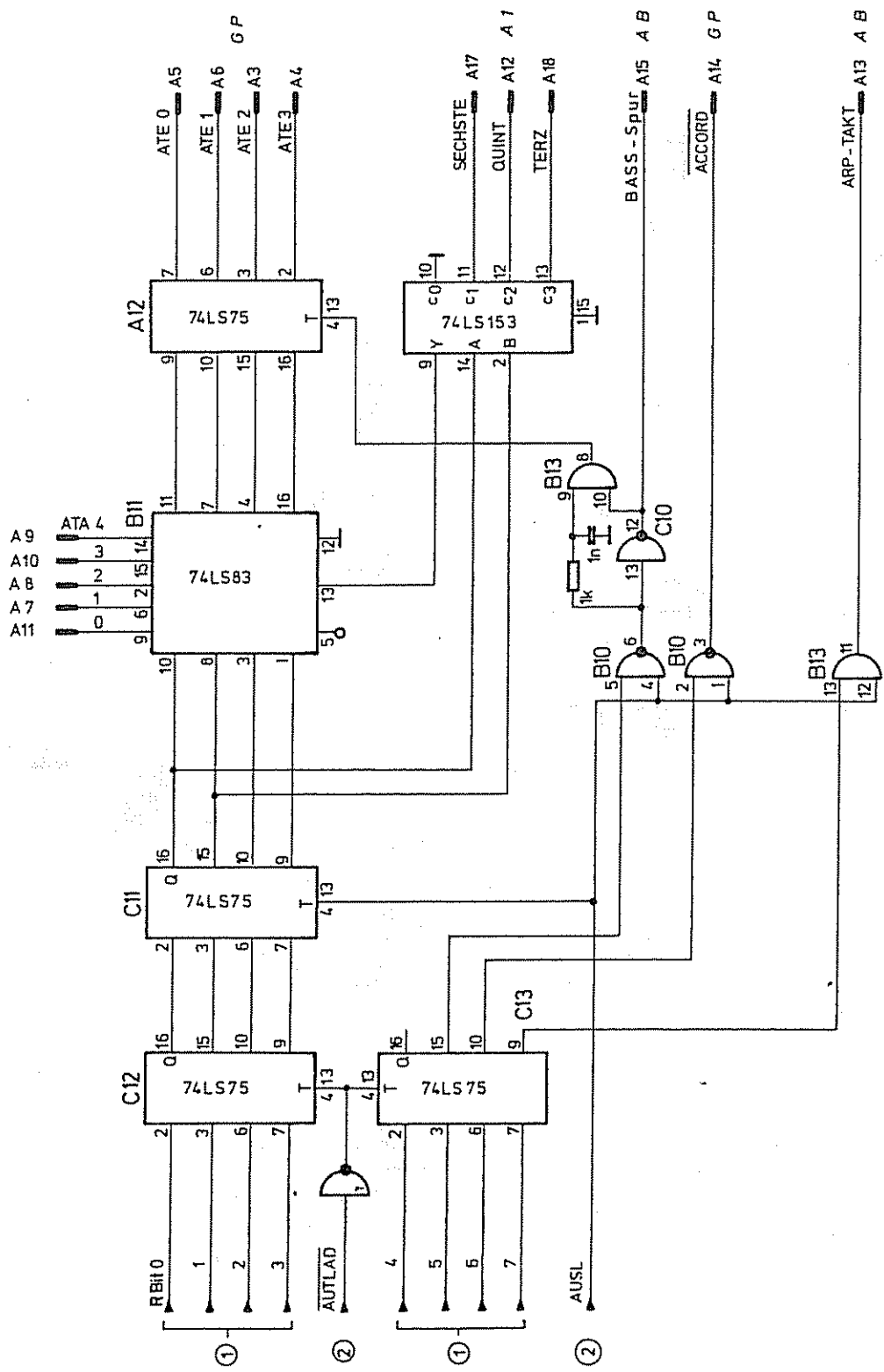


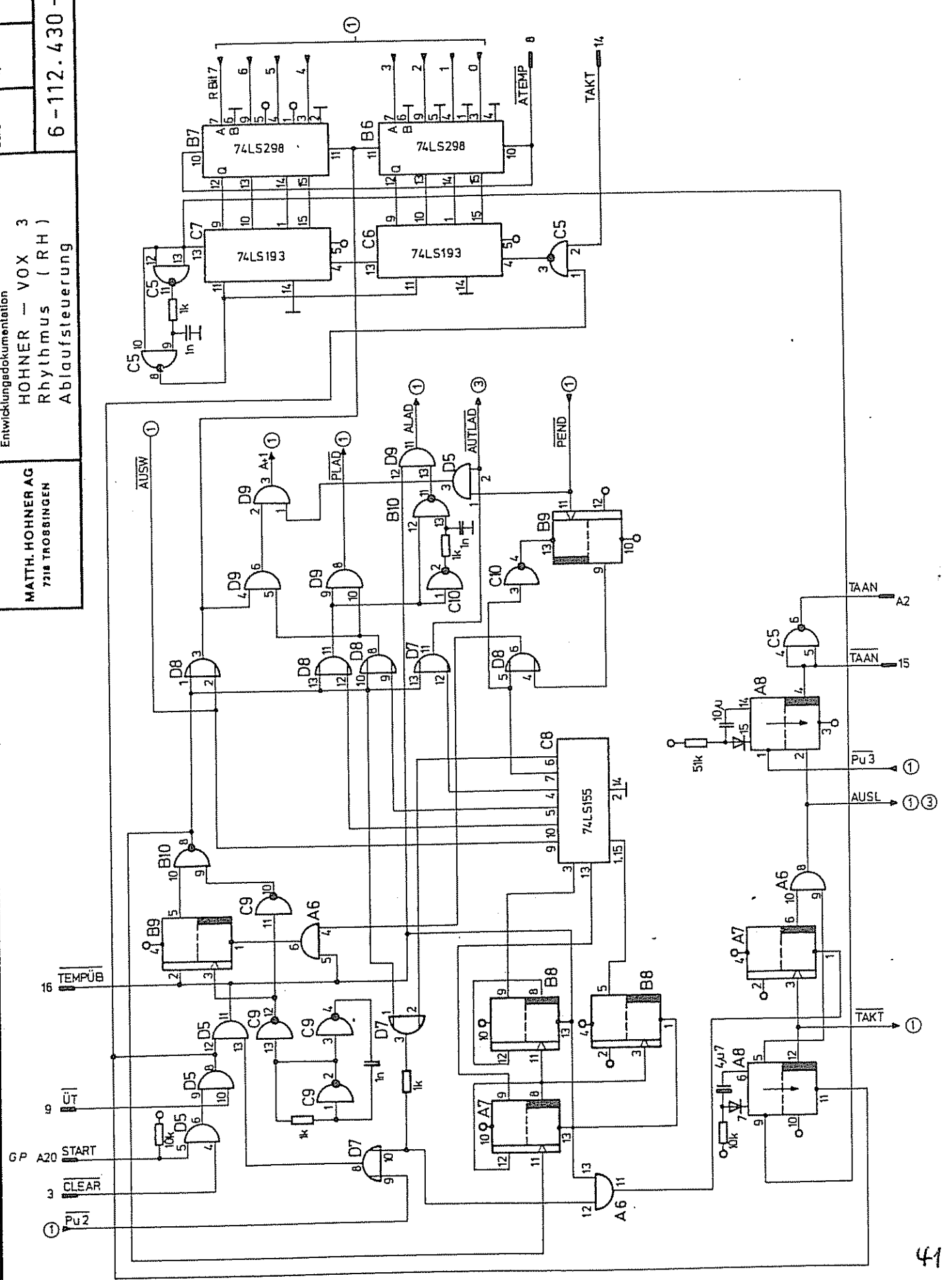




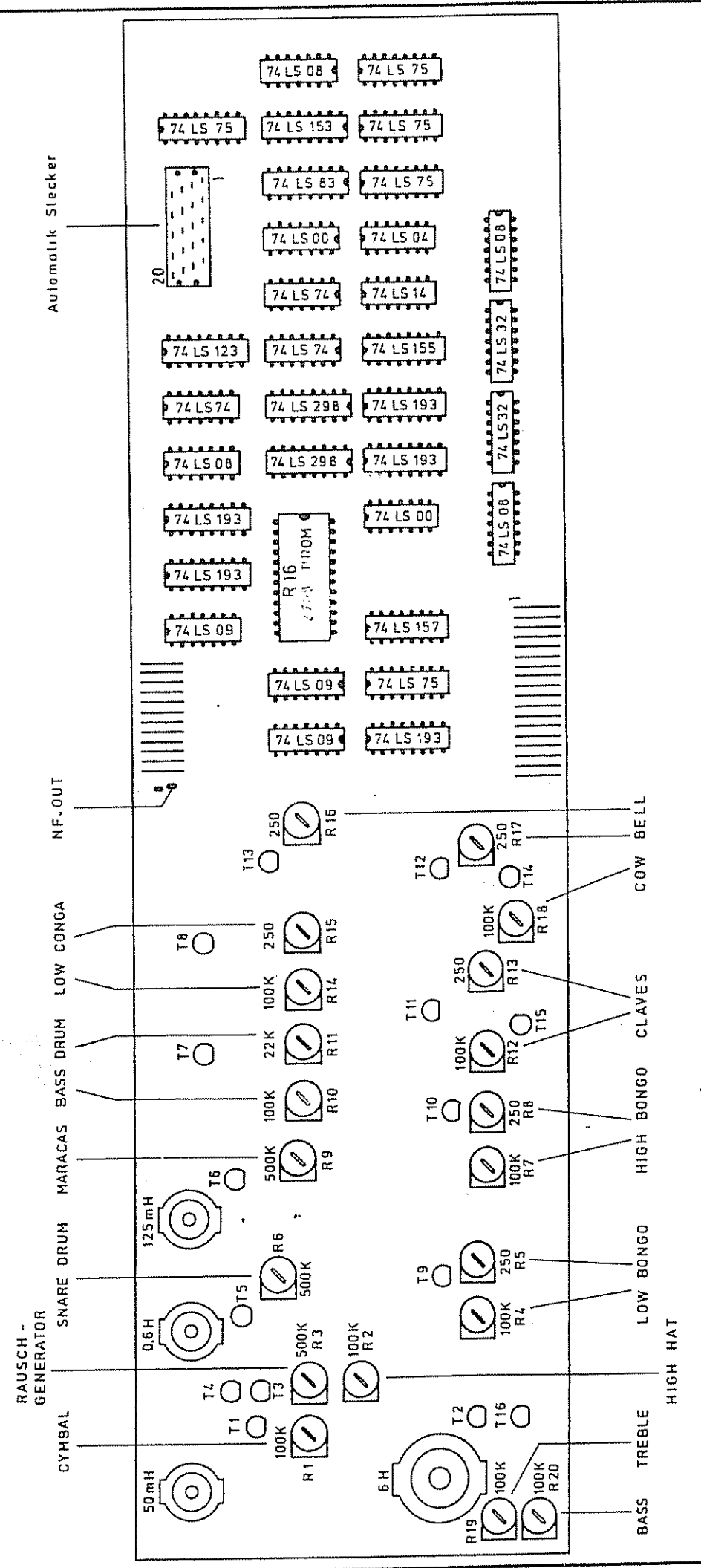


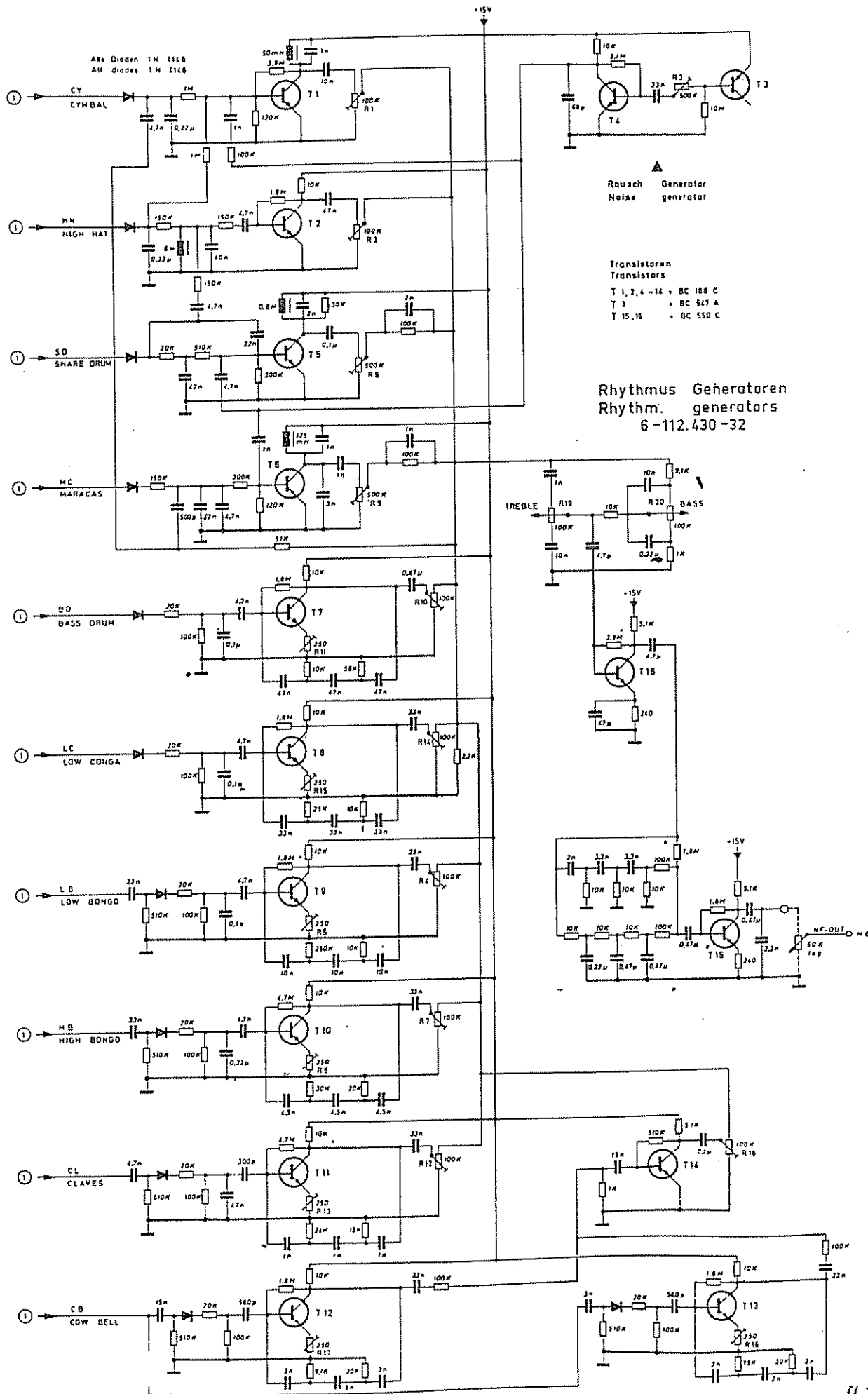






41

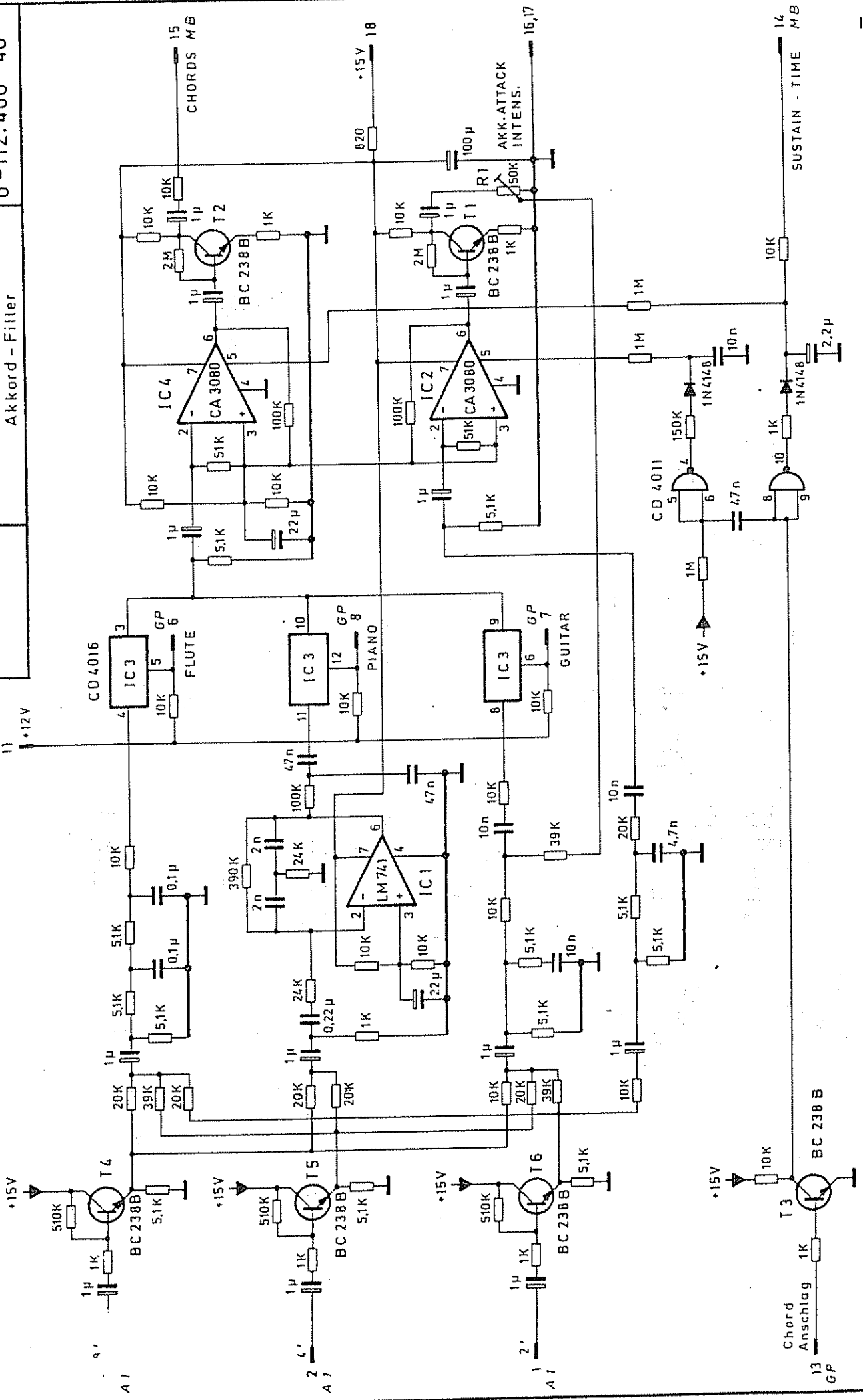


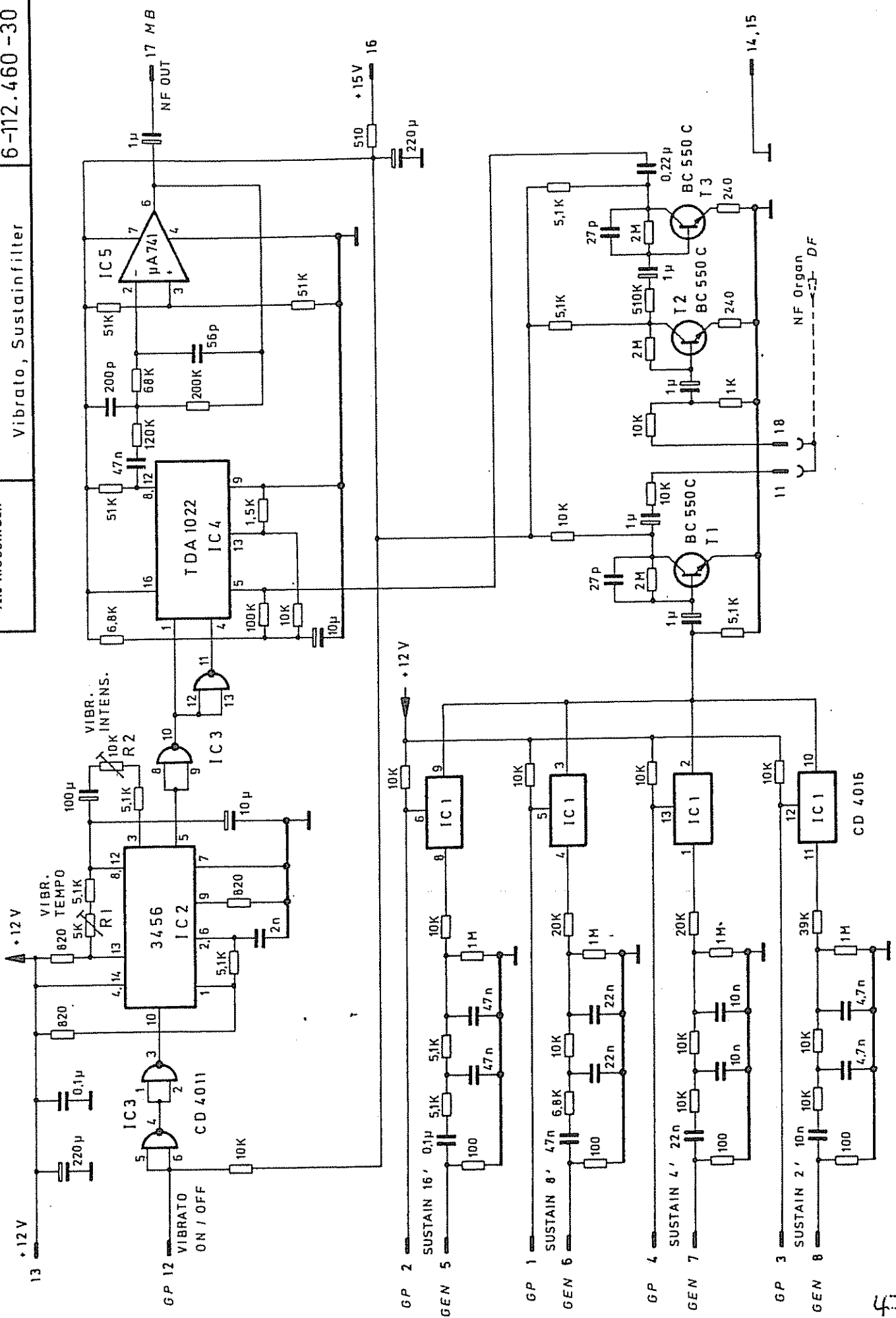


HOHNER - VOX 3
Akkord - Filter

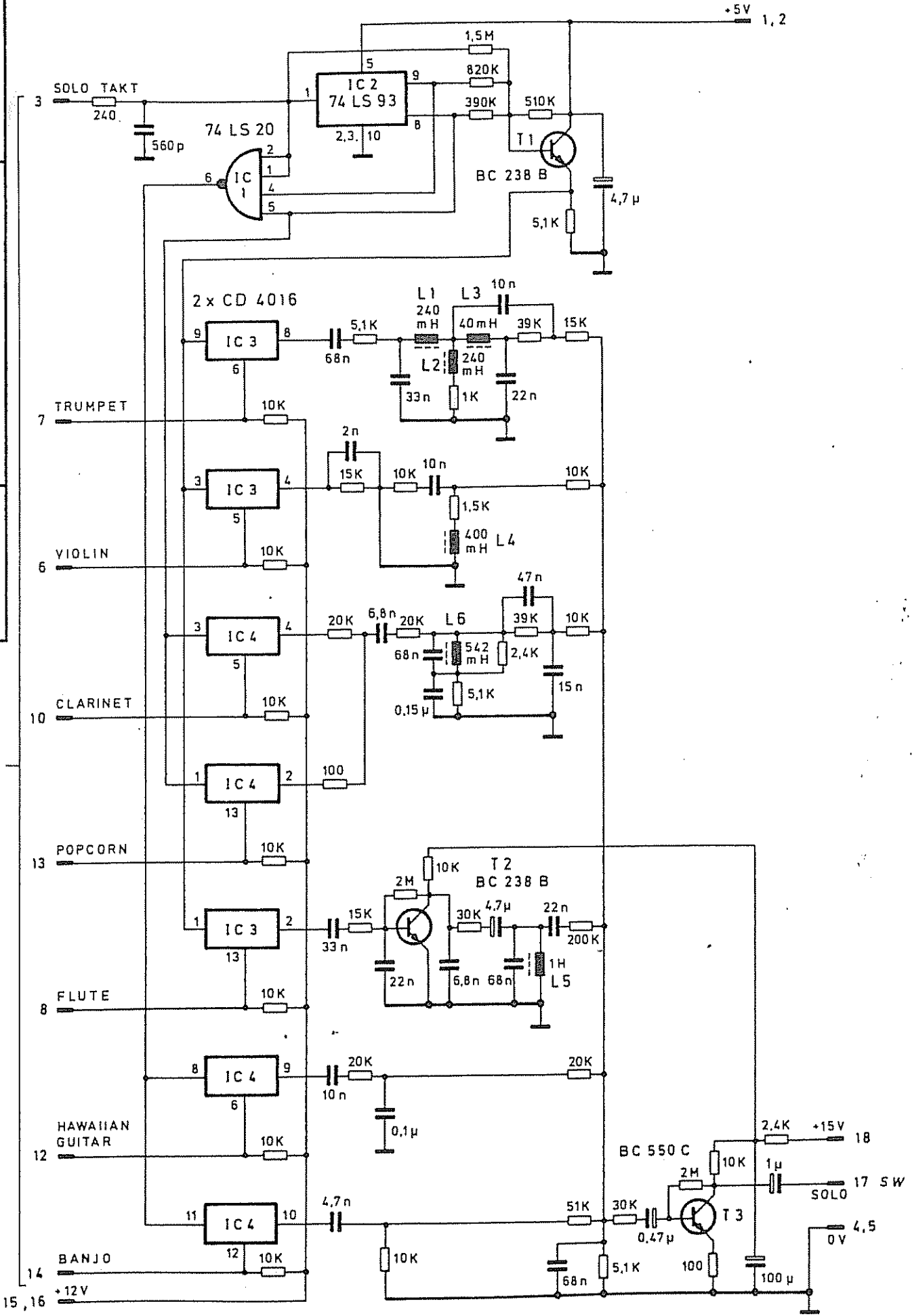
6-112.460-40

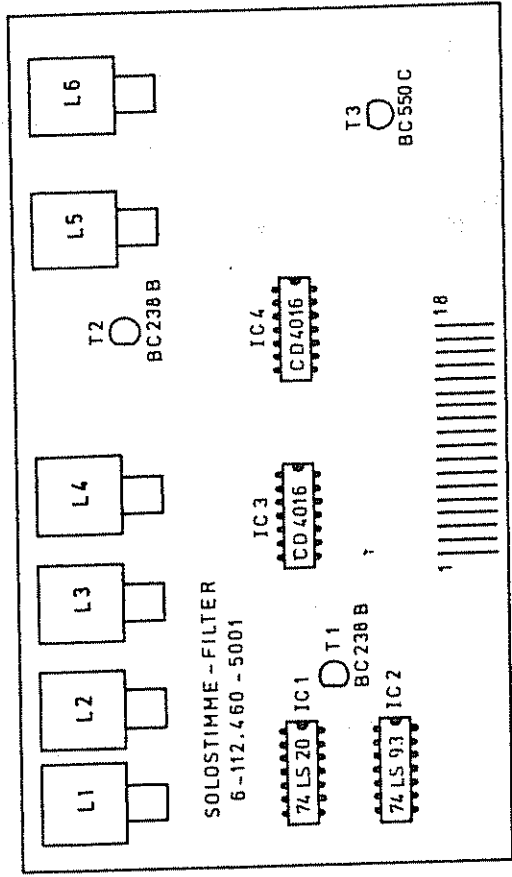
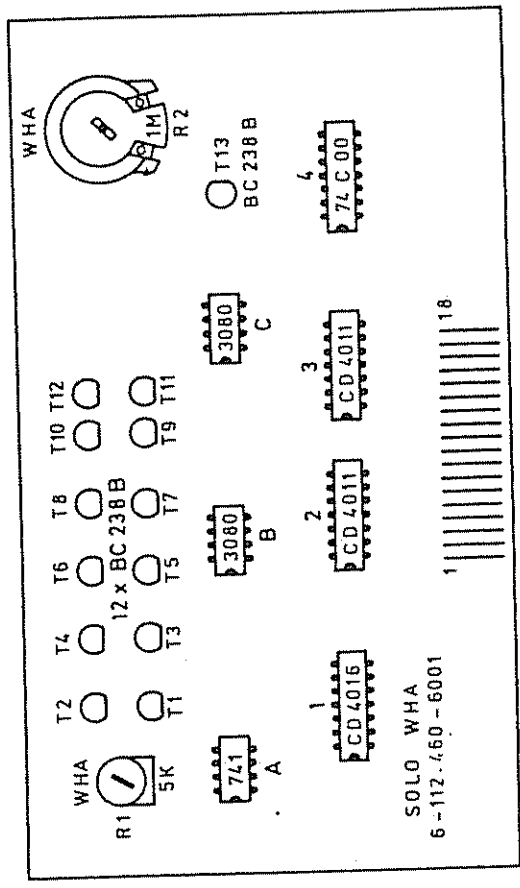
MATTH. HOHNER AG
7218 TROSSINGEN



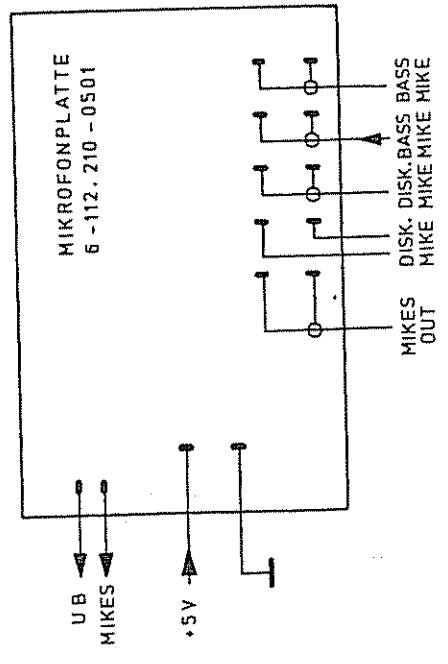
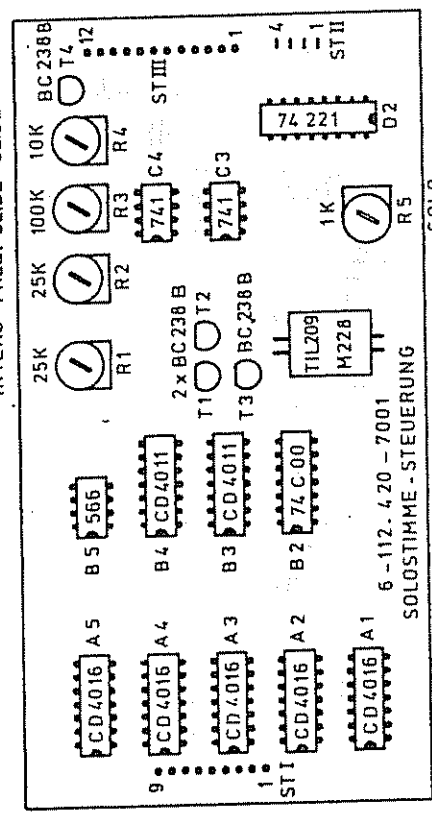


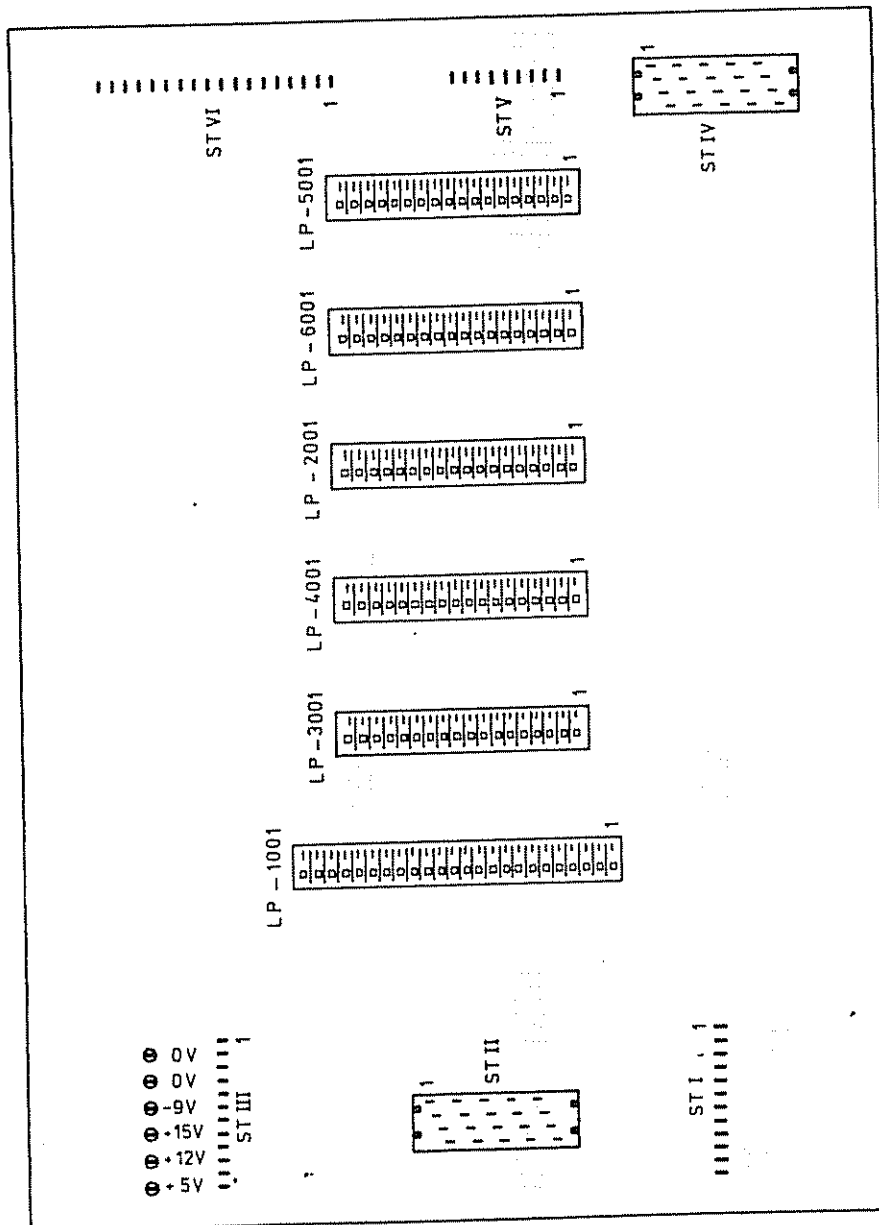
47

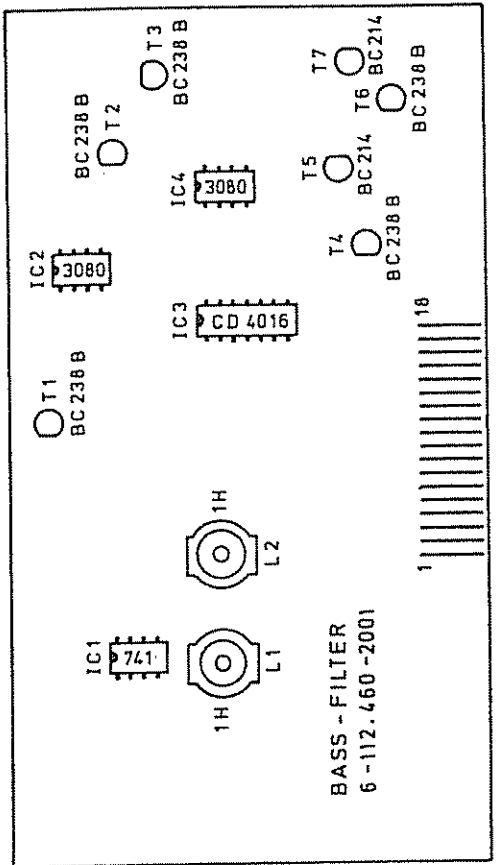
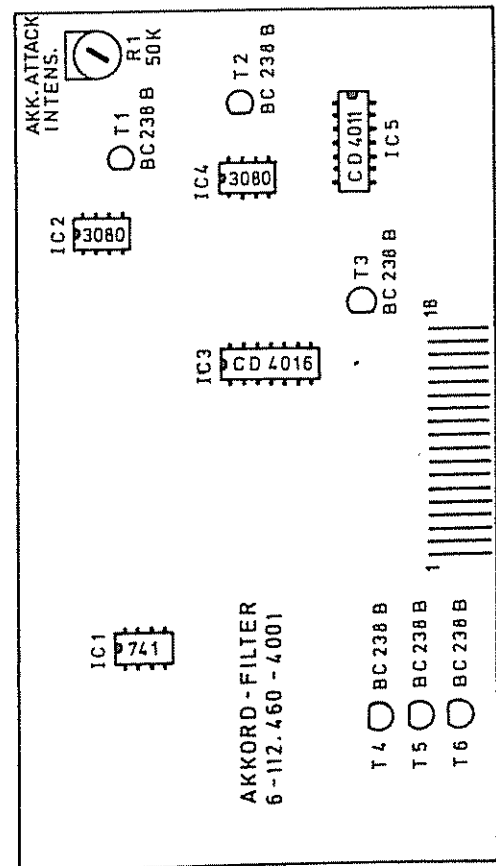
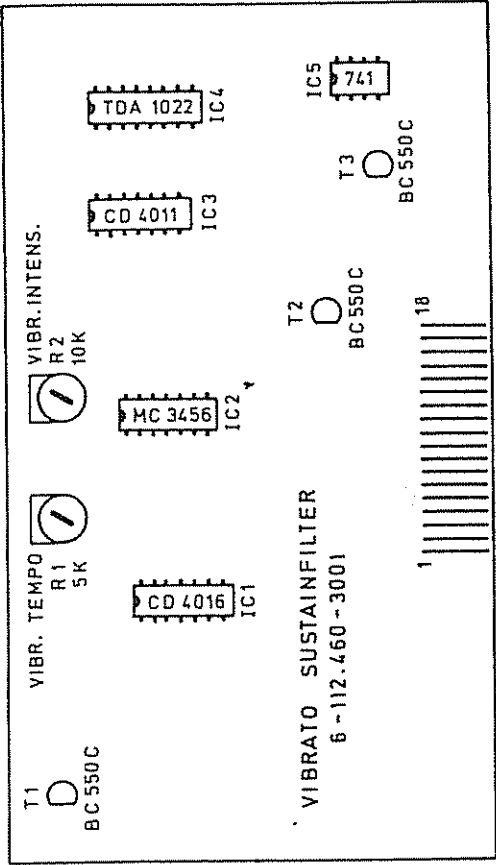
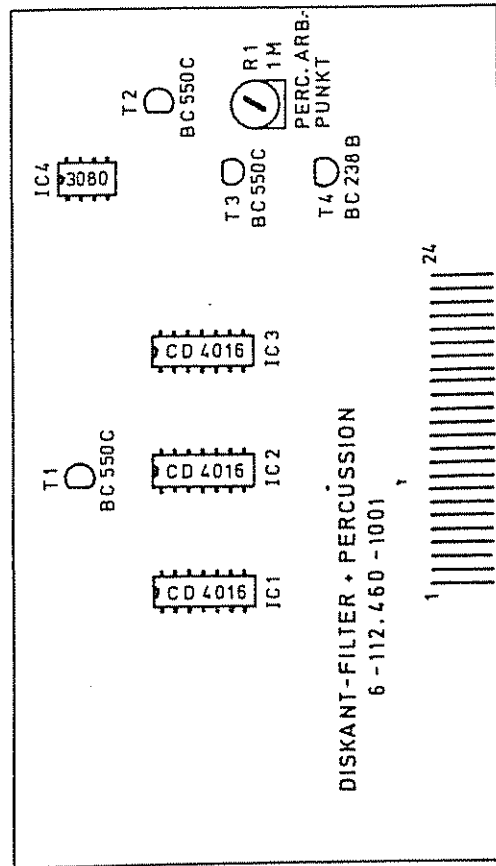




VIBR. VIBR.
INTENS. FREQ. GLIDE GLIDE







Steckerbelegung NF-Grundplatte

ST IV

- 1 —
- 2 Schalter Chords Piano
- 3 —
- 4 Schalter Solo Trumpet
- 5 —
- 6 Schalter Solo Banjo
- 7 Schalter Chords Flute
- 8 Schalter Solo Wha II
- 9 Schalter Bass Tuba
- 10 Schalter Solo Wha I
- 11 Schalter Bass String 16'
- 12 Schalter Solo Violin
- 13 Schalter Chords Guitar
- 14 Schalter Solo Clarinet
- 15 Schalter Chords-Guitar
- 16 Schalter Solo Hawaii-Guitar
- 17 Schalter Bass Piano
- 18 Schalter Solo Popcorn
- 19 Schalter Tastensignal Chords
- 20 Schalter Solo Flute

ST V

- 1 Perc. Imp.
- 2 Perc./Repeat
- 3 Sust./Attack
- 4 Solo Ton
- 5 —
- 6 —
- 7 —
- 8 —
- 9 —

ST VI

- 1 Schalter Strings
- 2 Schalter Clavichord
- 3 Schalter Piano
- 4 —
- 5 Solo NF
- 6 —
- 7 Sust. Time Bass
- 8 Bass-Attack NF
- 9 Bass NF
- 10 —
- 11 Sust. Time Akk.
- 12 —
- 13 Akk. NF
- 14 —
- 15 Organ NF
- 16 —
- 17 —
- 18 Perc. NF

Steckerbelegung NF-Grundplatte

ST I

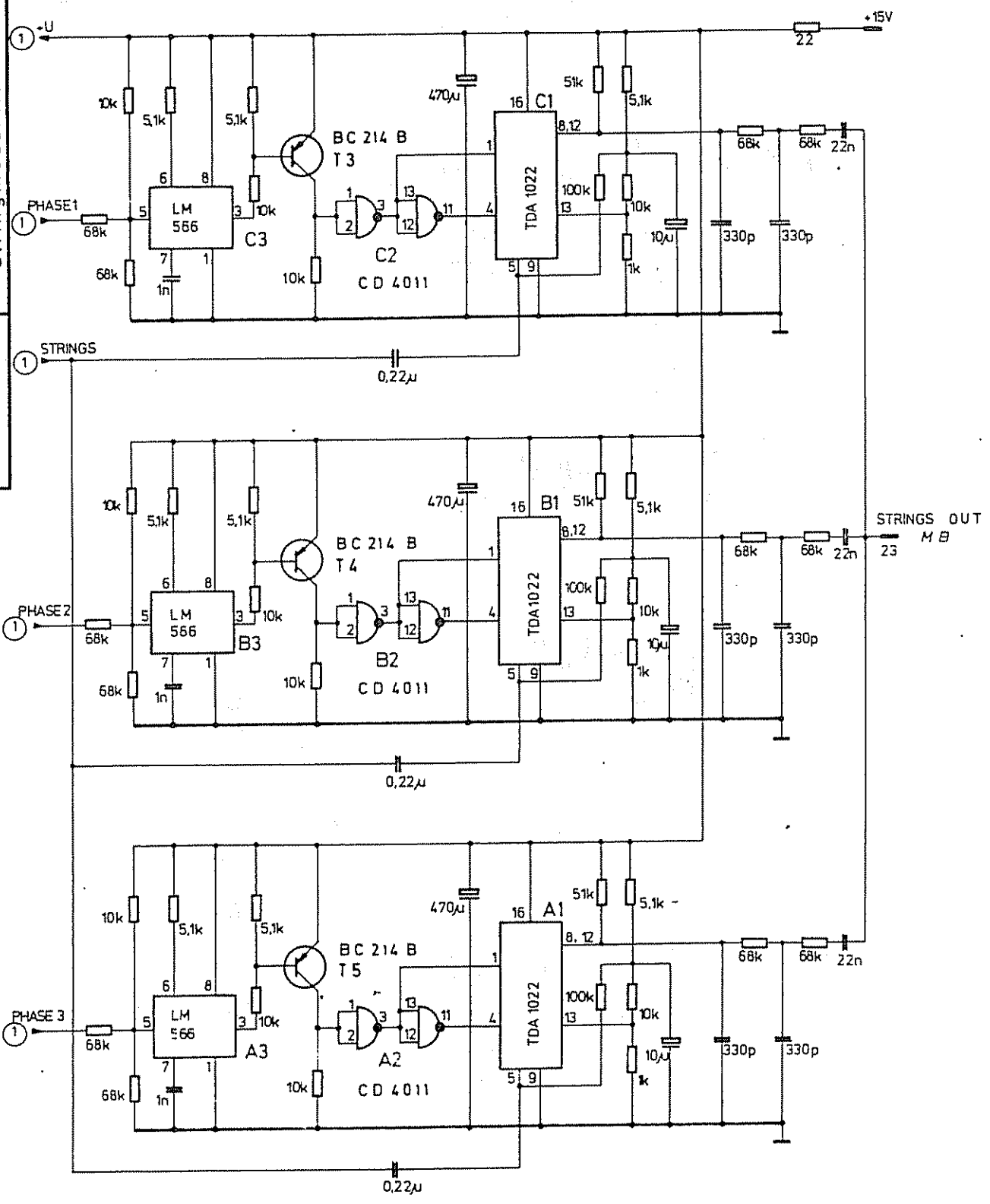
- 1 Bass 8'
- 2 Bass 4'
- 3 Bass 16'
- 4 Bass 8'
- 5 Bass 4'
- 6 Attack-Imp.
- 7 Tastensignal Bass
- 8 Akk. 2'
- 9 Akk. 4'
- 10 Akk. 8'
- 11 —
- 12 Arp. Ton

ST II

- 1 Schalter Flute 16'
- 2 Schalter Sustain 16'
- 3 Schalter Vibrato
- 4 Schalter Flute 8'
- 5 Schalter Sustain 4'
- 6 —
- 7 Schalter Sustain 8'
- 8 —
- 9 Schalter Perc. 4'
- 10 Schalter Strings
- 11 Schalter Flute 5 1/3'
- 12 Schalter Flute 4'
- 13 Schalter Clavichord
- 14 Schalter Perc. 2 2/3'
- 15 Schalter Piano
- 16 Schalter Perc. kurz/lang
- 17 Schalter Perc. 2'
- 18 Schalter Sustain 2'
- 19 Schalter Flute 2'
- 20 Schalter Flute 2 2/3'

ST III

- 1 Sustain 16'
- 2 Sustain 8'
- 3 Sustain 4'
- 4 Sustain 2'
- 5 Organ 4'
- 6 Organ 2 2/3'
- 7 Organ 2'
- 8 Organ 5 1/3'
- 9 Organ 8'
- 10 Organ 16'
- 11 —
- 12 —



58

